

# T5 EVO PLUS 4.0

THE HIGH-PERFORMANCE  
FUNCTIONAL DENTAL UNIT



LIFELONG DENTAL UNITS

VITALI

[www.vitali.com](http://www.vitali.com)

# T5 EVO PLUS 4.0

## HIGH-PERFORMANCE AND UTMOST CONVENIENCE

**T5 EVO PLUS 4.0** is the top-class dental unit with a decidedly important structure, suitable for any dental operation.

With **T5 EVO PLUS 4.0** you can have top-level functionality and utmost convenience: it is the perfect unit for dentists seeking a solid and high-performance yet also easy to manage dental unit.

The importance of **T5 EVO PLUS 4.0** can also and above all be seen in its high versatility. Three different options are available: with balanced arms, hanging tubes, with cart. This opportunity underlines the advantage of working with a dental unit that faithfully mirrors your operating style.

Different configurations but all characterised by the undisputed quality of **VITALI**, made of meticulous attention to detail, rigorous choice of noble materials, highly specialised and completely made in Italy manufacturing.

Once you have chosen the functional convenience of **T5 EVO PLUS 4.0**, you will never go back. The controls are concentrated in a single analogue keyboard, conveniently located on the side of the instrument table.

The keyboard allows you to set and visualise all the working parameters of the instrumentation, maintaining full control of all service functions.

Just like for any other **VITALI** unit, the high quality of **T5 EVO PLUS 4.0** is demonstrated not only by its functionality and performance, but also by the small number of maintenance and assistance interventions required over time.



1 Configuration with **balanced arms**

2 General controls **keyboard**



3 Configuration with **hanging tubes**



4 Configuration with **cart**



**T5 EVO PLUS 4.0 CART**

# T5 EVO PLUS 4.0

## THE MOST INNOVATIVE DESIGN BY VITALI

**T5 EVO PLUS 4.0** proposes a very modern and attractive design.

Its most distinguishing element is its newly designed cuspidor: a compact and easy to manoeuvre monobloc, designed to ensure the convenient installation of the various optional devices, such as amalgam separators, while maintaining a slender and elegant profile.

The innovative design gives **T5 EVO PLUS 4.0** three substantial advantages:

- evolved and functional aesthetics, consistent with the latest trends in ergonomic design
- a newly designed spittoon, which facilitates the patient during rinsing
- a new side carter opening system that makes daily and weekly maintenance operations extremely easy.

Created as an evolution of a previous model, already appreciated for its good performance and absolute reliability, **T5 EVO PLUS 4.0** is the **VITALI** unit that represents the "perfect balance".

In fact, if what you are looking for is a high-profile dental unit with an innovative design, available in several configurations and very practical and easy to manage, then **T5 EVO PLUS 4.0** is an unparalleled solution.



2

1



3



4



**1 Extension up to 80 cm**  
of the instrument tubes

**2 90°-cuspidor rotation** for the nurse's  
complete freedom of movement

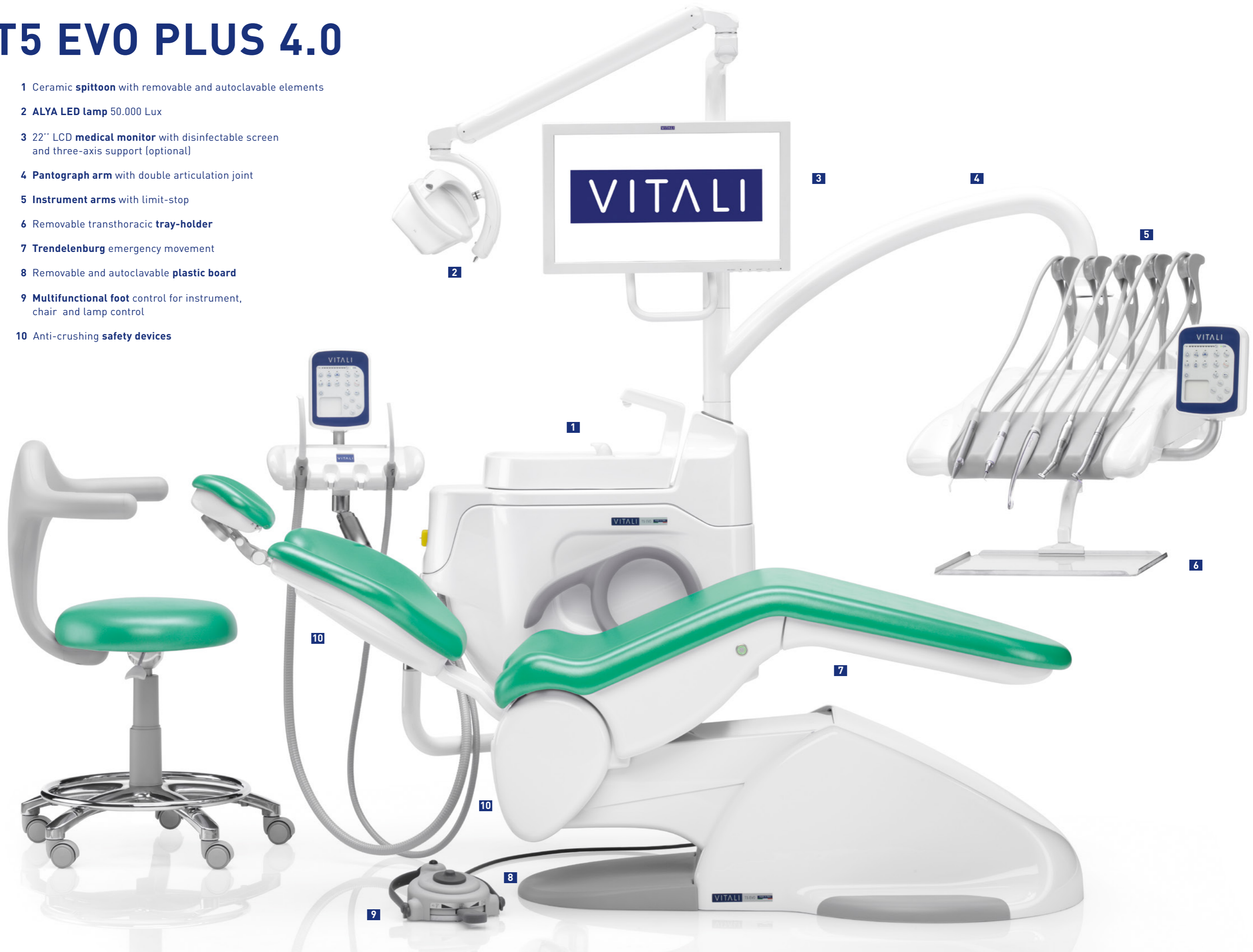
**3 Balanced arm with limit-stop**

**4 Easy access to the inside of the cuspidor,**  
thanks to the new **side carter openings**



# T5 EVO PLUS 4.0

- 1 Ceramic **spittoon** with removable and autoclavable elements
- 2 **ALYA LED lamp** 50.000 Lux
- 3 22" LCD **medical monitor** with disinfectable screen and three-axis support (optional)
- 4 **Pantograph arm** with double articulation joint
- 5 **Instrument arms** with limit-stop
- 6 Removable transthoracic **tray-holder**
- 7 **Trendelenburg** emergency movement
- 8 Removable and autoclavable **plastic board**
- 9 **Multifunctional foot** control for instrument, chair and lamp control
- 10 Anti-crushing **safety devices**



# T5 EVO PLUS 4.0

## BENEFITS SHARED BY ALL VITALI DENTAL UNITS

- Dental units designed to last a lifetime
- The result of the direct exchange of ideas with dentists and service technicians
- Careful attention to every detail to ensure total hygiene in the working environment
- Excellent working comfort for the dentist and nurse in the various operating positions
- Utmost comfort for the patient thanks to the anatomical shape of the **VITALI** chair
- Minimum incidence of service costs and thus low operating costs
- Customisable configuration to adapt the dental unit to your operating needs

## GENERAL FEATURES OF VITALI DENTAL UNITS

- Possibility to set the operating parameters of instruments, lamp, chair and cuspidor
- Chair with three memory programmes and last position
- Size of the backrest and reduced chair base to ensure utmost ergonomics for the dentist and nurse
- Special treatment applied to ABS carters that protects the dental unit from any colour changes over time
- Smooth surfaces and no visible screws and external casings to facilitate sanitisation of all parts of the dental unit
- Maximum liftable weight: 180 kg
- Standard anti-tilt device that ensures utmost stability of the dental unit and makes floor anchoring unnecessary
- Five anti-crushing safety devices
- Electronic pedal for instruments, chair and lamp controls and recall of saved positions and function



1



2



3

1 **VDS manifold** in standard position

2 Position of the **VDS manifold** if the spittoon draining valve is present

3 **VDS control keyboard**

4 **Bactericidal UV lamp**

5 Fully sanitisable ceramic **spittoon** with removable and autoclavable elements

6 **Removable and autoclavable elements** of the instrument table

7 **Independent supply** of sterile liquid to instruments



4



7



5



6



# T5 EVO PLUS 4.0

## CREATE YOUR OPTIMAL CONFIGURATION

Just like all **VITALI** units, **T5 EVO PLUS 4.0** is prepared to be as you want it.

You can choose its configuration; you must be satisfied with working on an efficient dental unit that will never cause you any problems.

We use LED operating lamps for lighting, with a cold white light that is suitable for all treatments. They are glare-free, silent, low-consumption, long-life, low-maintenance lamps.

The three models are: **MAIA** 35,000 Lux, **ALYA** 50,000 Lux, **ALYA THEIATECH** 50,000 Lux with preoperative light integrated in the arm.

All three lamps are operated both from the keyboard on the dentist's side and from the foot control.

The electronic foot control, also available in the wireless version, controls the operation of the instruments and chair.

With the instruments at rest, you can manage various controls that are also present on the keyboard.

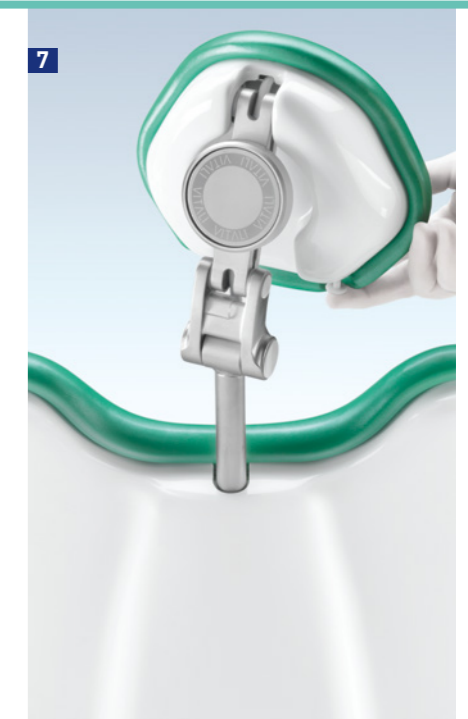
The adaptability of the chair to each patient's body makes the most of the anatomical headrest proposed in two versions: one with mechanical/pneumatic operation articulated on two axes, the other with pneumatic operation articulated on three axes.

On request you can have memory foam self-modelling chair padding and folding right-hand armrest.

There are two options for the nurse's console: with general control keyboard or with cuspidor controls only, both available also on an articulated pantograph arm

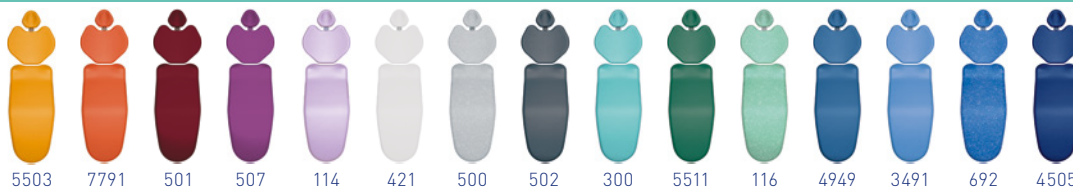
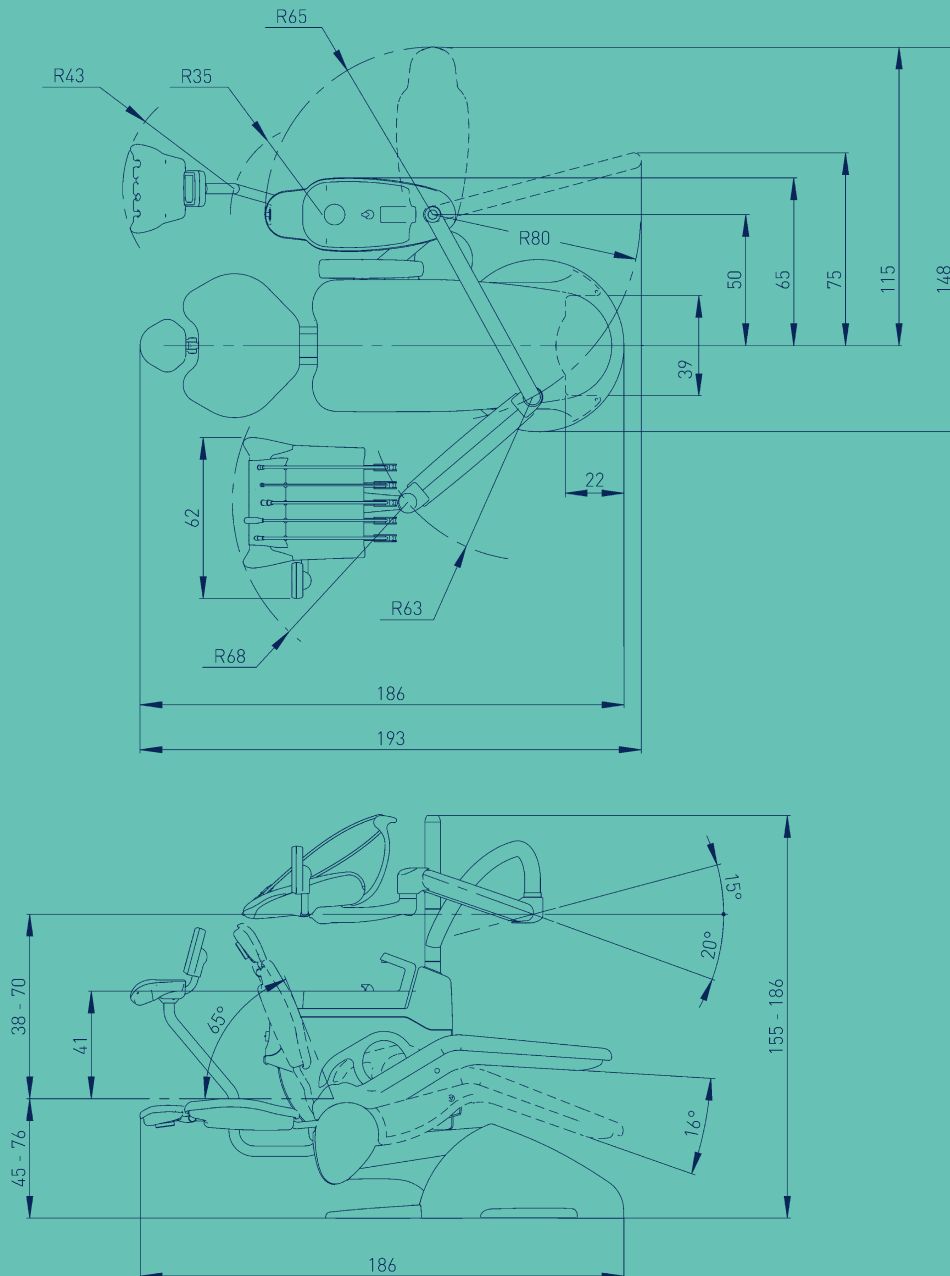


- 1 Nurse's console with general control keyboard
- 2 Nurse's console with cuspidor controls
- 3 Multifunctional foot control available on request also in the wireless version
- 4 Chair upholstery available in memory foam for maximum patient comfort (optional)
- 5 - 6 Anatomical headrest articulated on two axes
- 6 - 7 Anatomical 3D headrest articulated on three axes
- 8 Folding right-hand armrest (optional)



# T5 EVO PLUS 4.0

The images contain optional items. The company reserves the right to make changes to the products without notice.



LIFELONG DENTAL UNITS



[www.vitali.com](http://www.vitali.com)