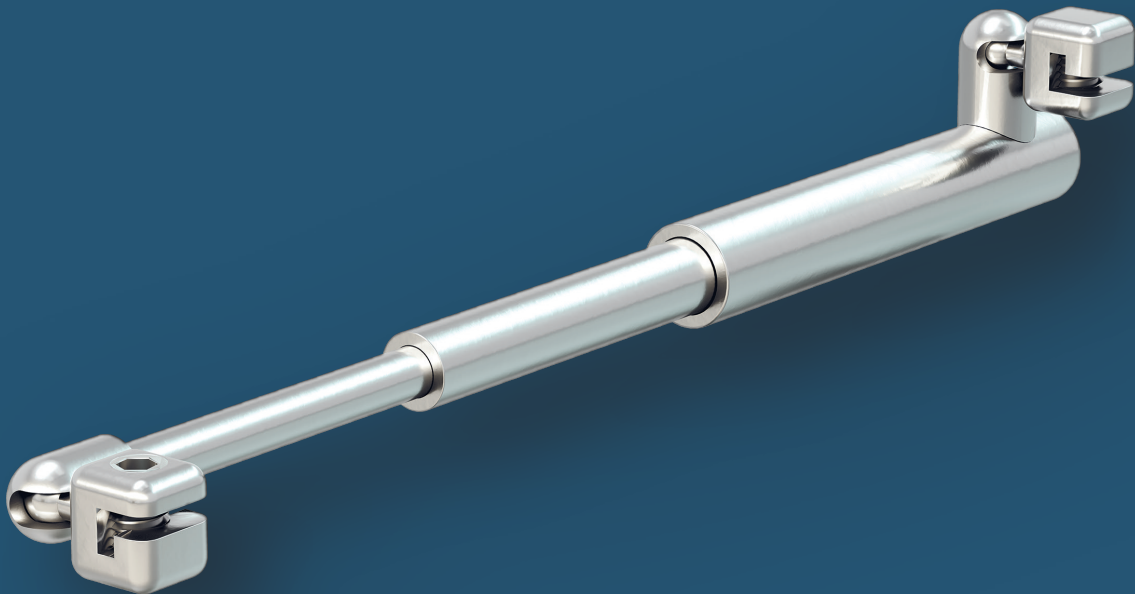




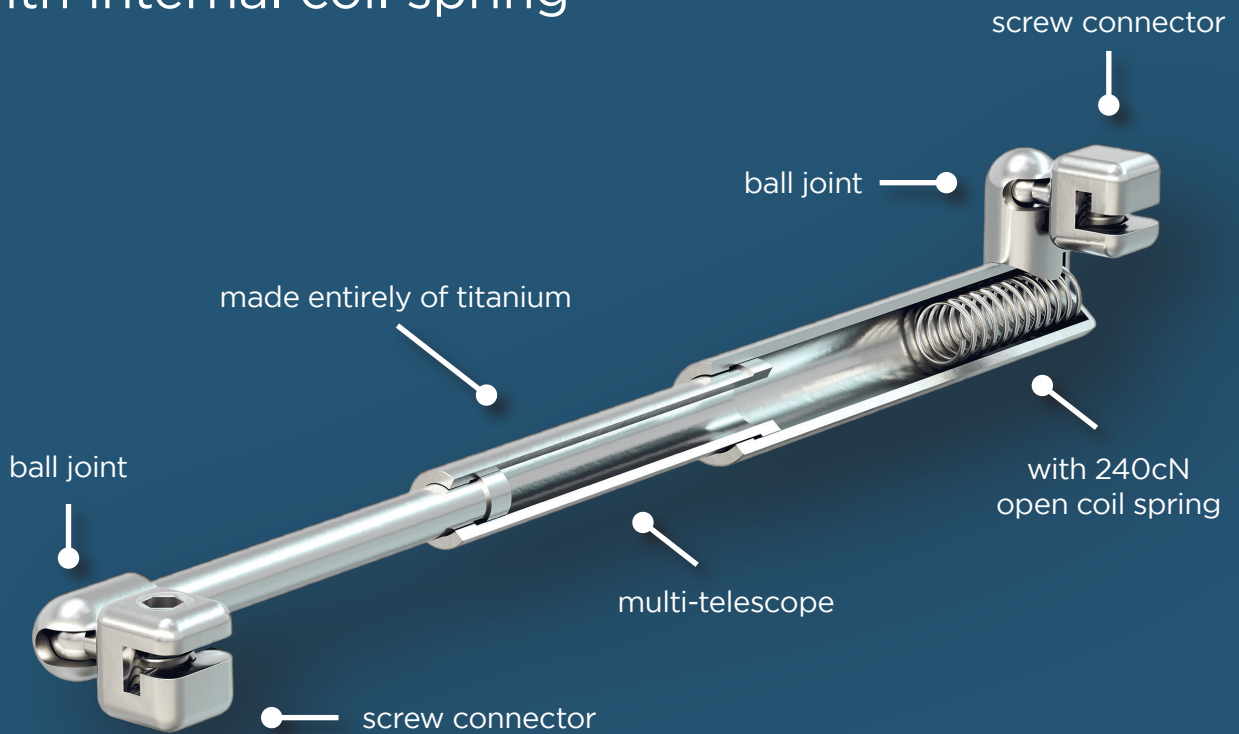
BioBiteCorrector[®]
The mandibular protrusion hinge



bbc-orthotec.de

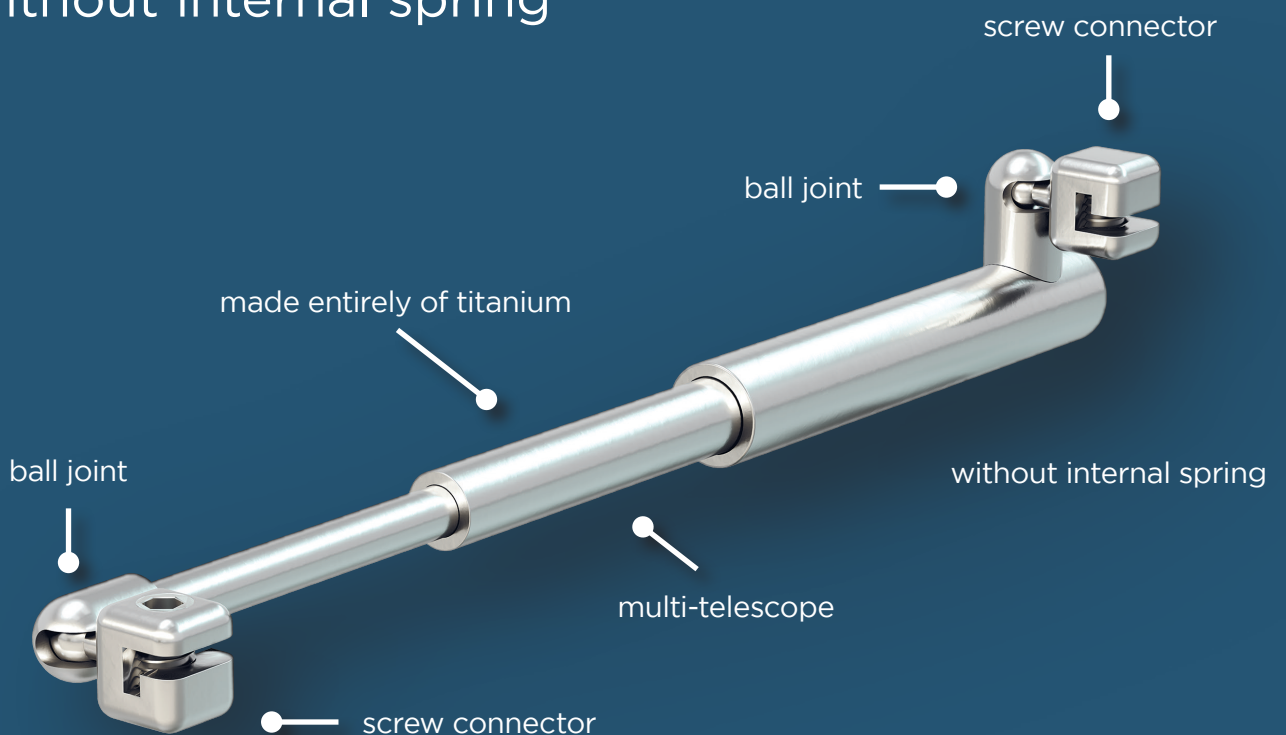
BioBiteCorrector[®] SP

with internal coil spring



BioBiteCorrector[®] MS

without internal spring



Advantages:

- **Biocompatible Titanium**

All BBC versions are made entirely of titanium and are laser-welded. The clamping screws and spacer sleeves are also made of titanium. The BBC **SP** and **FA** models have an internal stainless steel compression spring.

- **Functional principle of the Herbst appliance**

The BBC **MS** and **SA** models do not have an internal pressure spring. These versions closely follow the functional principle of an Herbst apparatus.

- **Internal spring mechanism**

BBC **SP** and BBC **FA** versions advance the lower jaw with a gentle spring force. The internal stainless steel compression spring has a force of 240cN.

- **Direct Class I with precise adjustment of the mandible**

Using the C-shaped titanium spacers, which are clamped on the telescope bars, the mandible can be advanced easily and precisely.

- **Easy handling**

The BBC **MS** and BBC **SP** are supplied completely pre-assembled and ready to install. There is no need for orthodontists to assemble the device from various parts.

- **Multibracket appliance: Bands and Tubes are not required**

Due to the screwable connection, the BioBite**Corrector**[®] does not require bands on the molars and they are not a prerequisite for inserting the appliance.

- **Screw connectors for quick and easy insertion**

The screw connectors of the BBC **MS** and **SP** guarantee quick and easy insertion of the appliance. The screwed connectors prevent sliding on the archwire and thus do not cause pressure on the adjacent brackets.

- **The ball joint design increases wearing comfort**

Ball joints allow lateral movements with sufficient mouth opening and reduce the force loads.

- **Multi-telescope design**

The multitelescope allows a wide mouth opening without decoupling, unlike with a conventional Herbst hinge.

- **BBC MS is available in two sizes**

The „Standard“ size with a total length of 23mm is used in normal cases and can be extended up to 57mm. The „Small“ size with a total length of 19mm is used in extraction cases when the gap has already been closed and can be extended up to 45mm.

BioBiteCorrector® Applications:

The BioBiteCorrector® hinge is a versatile mandibular protrusion hinge and enables the following applications:

- Orthodontic correction of Angle Class II malocclusions
- Treatment of CMD disorders
- Treatment of snoring and sleep apnoea in dental sleep medicine
- Use as an anchorage appliance for an orthodontic gap closure in the Gap closure in the mandibular posterior region



BioBiteCorrector® Herbst



BioBiteCorrector®
with a multibracket appliance



BioBiteCorrector® Sleep Appliance



BioBiteCorrector® TWIN

Dental applications:

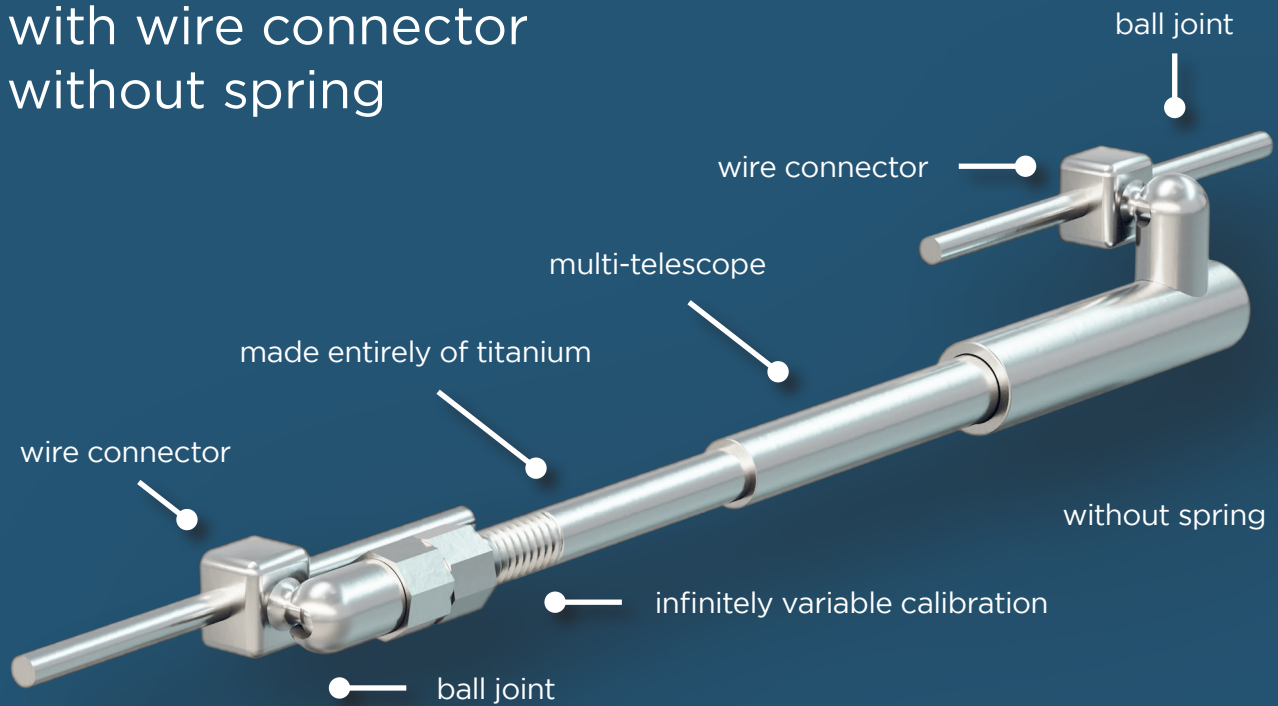
- The BioBite**Corrector**[®] **MS** and **SA** versions without internal spring are used in dental sleep medicine and in CMD therapy as mandibular protrusion hinges.
- The BioBite**Corrector**[®] **Sleep Appliance** is used to treat snoring and mild to moderate obstructive sleep apnoea.

Orthodontic applications:

- The BioBite**Corrector**[®] (BBC) appliances are mainly used to correct an Angle II malocclusion in orthodontics.
- The use of the BBC can avoid extraction of permanent teeth or even surgical correction of Class II malocclusions.
- **The fixed appliances:**
The fixed appliances (e.g. BBC **Herbst**/ BBC with Multibracket appliance) can be used for patients who are non-compliant in wearing removable devices or show low residual jaw growth, for adolescents and adults.
- **The removable solutions:**
In combination with removable dental braces the BioBite**Corrector**[®] hinge becomes a modern functional orthodontic appliance.
The BioBite**Corrector**[®] **TWIN** appliance offers the best wearing and speaking comfort with very high therapy success.
- **Different treatment philosophies:**
The BioBite**Corrector**[®] hinges are available with and without internal coil spring.
- The BioBite**Corrector**[®] **MS** and **SA** versions (without spring) are largely based on the functional principles of the **Herbst** appliance. This passive-rigid appliance is able to precisely guide the mandible into bilateral Class I occlusion and therefore does not need coil springs.
- Die BioBite**Corrector**[®] **SP** and **FA** versions (with internal coil spring) guarantee a certain amount of protrusion of the mandible due to their rigid parts, and their internal coil spring (240cN) also ensures gentle advancement.

BioBiteCorrector[®] SA

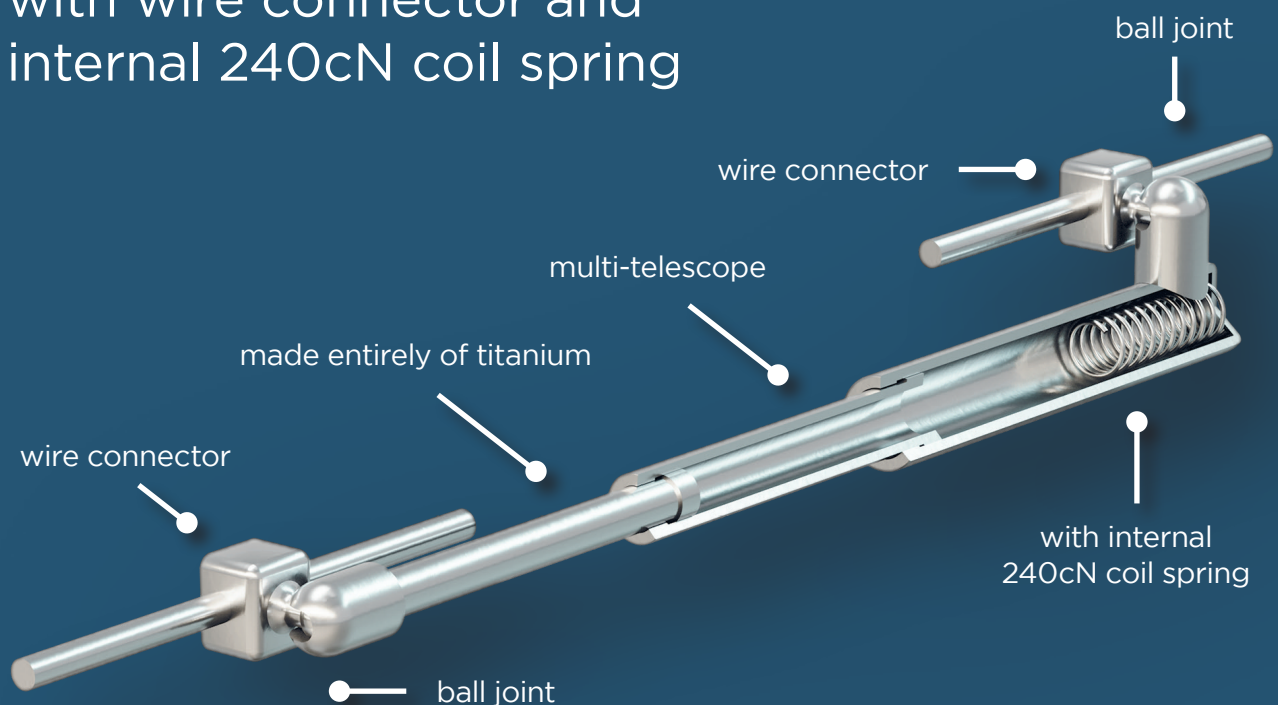
with wire connector
without spring



BioBiteCorrector[®] SA is only available through our laboratory service as BBC **Herbst**, as BBC **Sleep Appliance** and as spare parts.

BioBiteCorrector[®] FA

with wire connector and
internal 240cN coil spring



BioBiteCorrector[®] FA is only available through our laboratory service as BBC **Herbst**, as BBC **Sleep Appliance** and as spare parts.

BioBiteCorrector® MS und SP

- The BioBiteCorrector® versions **MS** (without compression spring) and **SP** (with compression spring) have a screw connector. These versions can be screwed to a square wire.

The minimum recommended dimension is a .017 x .025 inch stainless steel wire. The largest wire dimension that can be used is a .025 x .025 inch stainless steel wire.

- BioBiteCorrector® **MS** and **SP** versions are always placed interproximally due to their screw connectors. The screw connector is placed between the canine and the 1st premolar in the lower jaw and between the 1st molar and the 2nd premolar in the upper jaw.
- The BioBiteCorrector® **SP** supports the advancement of the lower jaw with an internal coil spring. The BioBiteCorrector® **MS** works based on the functional principles of the **Herbst**-appliance and therefore does not have an internal spring.

BioBiteCorrector® MS



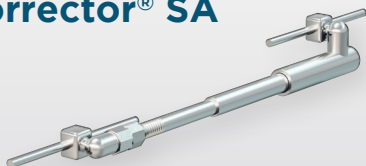
BioBiteCorrector® SP



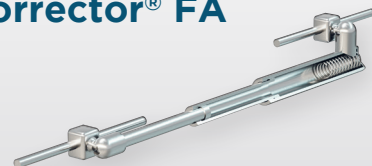
BioBiteCorrector® SA und FA

- Der BioBiteCorrector® **SA** (without internal spring) and **FA** (with internal spring) designs have a flat wire connector. This connector can be directly polymerized into resin or fixed on special tubes (see BioBiteCorrector® **Herbst** appliance).
- Due to the flat wire connector, the BioBiteCorrector® versions **SA** and **FA** can be placed centrally on the 1st premolar in the lower jaw and on the 1st molar in the upper jaw. They therefore do not have to be placed interproximally, like the screw connectors.
- The BioBiteCorrector® **FA** supports the advancement of the lower jaw with an internal coil spring. The BioBiteCorrector® **SA** works based on the functional principles of the **Herbst**-appliance and therefore does not have an internal coil spring.

BioBiteCorrector® SA



BioBiteCorrector® FA



BioBiteCorrector[®] MS and SP with multibracket appliance

The screw-on BioBiteCorrector[®] MS and SP models can be used with a multibracket appliance and are used to correct an Angle KL II malocclusion.



The BioBiteCorrector[®] MS works as a passive-rigid appliance according to the **Herbst** hinge philosophy. It can always advance the mandible directly and precisely into the bilateral neutral dentition and therefore has no pressure springs.



The BioBiteCorrector[®] SP supports the forward movement of the lower jaw with an internal coil spring.

The screw connectors of the BioBiteCorrector[®] MS and SP guarantee quick and easy insertion. This design does not allow sliding on the archwire and therefore does not cause pressure on the adjacent brackets.



Clinical example: BioBiteCorrector[®] MS appliance on a patient



Before placement of BBC



After placement of BBC



Class I after treatment

BioBiteCorrector® TWIN

The modern functional appliance

The BioBiteCorrector® TWIN appliance is a removable functional appliance for the correction of Class II malocclusion.

Advantages:



- The BioBiteCorrector® TWIN appliance has no guide spurs in the tongue area for better speech comfort.
- The absence of occlusal lateral bite blocks allow easy bite elevation and increase wearing comfort.
- The BBC TWIN appliance has the proven BioBiteCorrector® telescopic advantages. The result is the best wearing and speaking comfort with a very high level of therapy success.
- If required, the BioBiteCorrector® MS and SP models can be unscrewed from the plates and later screwed onto a multibracket appliance on the same patient.

All BioBiteCorrector® models can be used for the fabrication of a BBC TWIN appliance.

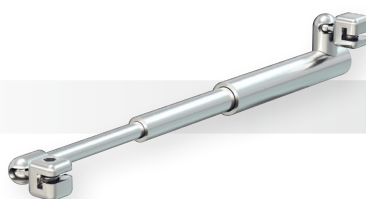
The BioBiteCorrector® MS and SP models are screwed to a square wire which is polymerised into the plate. In the absence of sufficient patient compliance, the BBC is unscrewed and later screwed to a multibracket appliance on the same patient.

The BioBiteCorrector® SA (without spring) and FA (with coil spring) models with wire connectors are polymerised directly into plastic. The wire connectors can be placed centrally on the 1st premolar in the lower jaw and on the 1st molar in the upper jaw. They do not have to be placed interproximally like the screw connectors.

Re-use on the same patient:



BBC TWIN



BBC MS/SP



BBC on MB

BioBite**Corrector**[®] **Herbst**

The digital Herbst appliance

The screw-on BioBite**Corrector**[®] **MS** and **SP** models can be used with a multibracket appliance and are used to correct an Angle KL II malocclusion.

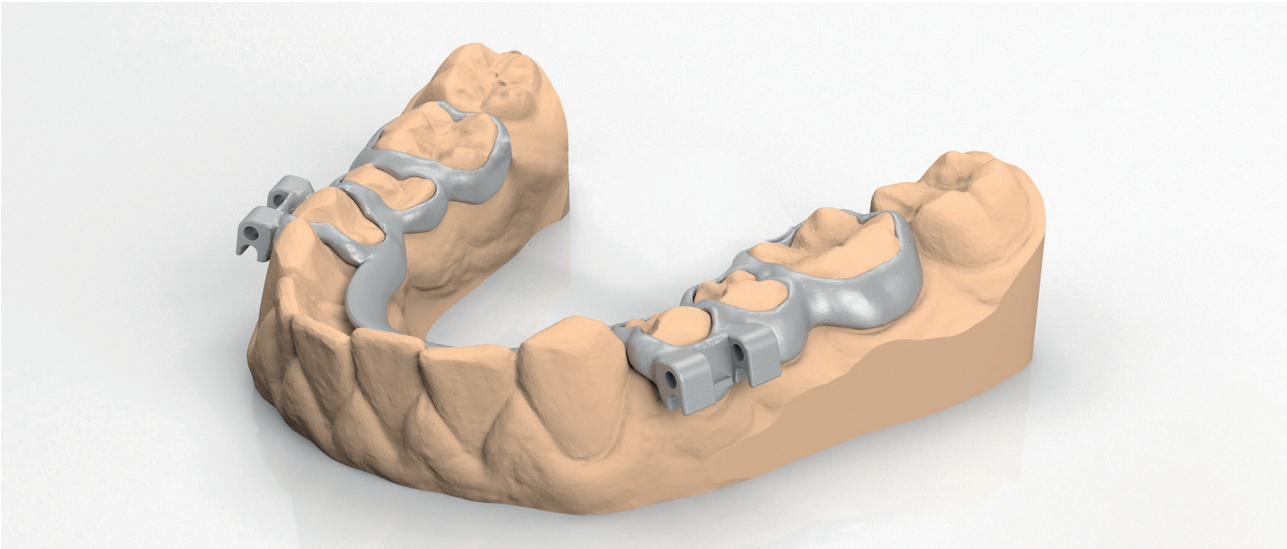


Advantages:

- Digital construction of the appliance
- Construction bite not necessary
- All BBC components are directly „chairside“ interchangeable
- BioBite**Corrector**[®] **SA** and **FA** models can be combined with a BBC **Herbst**
- High speech and wearing comfort due to flat design
- High patient acceptance due to central UJ6 and LJ4 hinge positioning
- Bewährte BioBite**Corrector**[®] Scharnier Vorteile:
 - Ball joint design for better comfort
 - Ball joints allow lateral movements with sufficient mouth opening and reduce force loads
 - The multitelescope allows a wide mouth opening without decoupling

BioBiteCorrector® Herbst Placement in detail

The bands and attachments of the Herbst appliance are designed and adapted exactly to the patient's 3D scan using 3D software.



Digital 3D construction of the appliance



3D metal printing without weld seam



Stainless steel wire guided through with anti-rotation protection



Stainless steel wire through attachments and BBC passed through



Bending the distal end of the wire

BioBiteCorrector® Sleep Appliance

The CAD/CAM Anti-snoring device



Advantages:

- **Made entirely of biocompatible titanium**

The BioBiteCorrector® Sleep Appliance is the first anti-snoring appliance with a multi-telescope made entirely of titanium.

- **Digital 3D design (CAD/CAM)**

The design can be customised according to the practitioner's specifications.

- Thermoactive flexibility
- MMA-free (0% residual monomer content)
- Self-adjusting with memory effect

- **High speech and wearing comfort**

- Due to low vertical bite blocking
- Without conscious unlocking by the patient

- **Direct adjustability**

with optimal and precise lower jaw adjustment with spacer sleeves or stepless titration (adjustment).

- **No constriction of the tongue area**

which impairs wearing comfort or leads to a retral displacement of the tongue.

- **Ball joints in the upper and lower jaws**

allow lateral mandibular movements and increase wearing comfort.

- **Multiple telescope**

This design ensures extended mobility without disengaging like the conventional **Herbst** appliance.

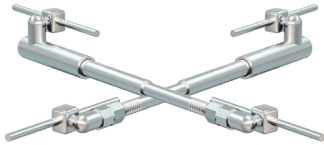
Only the BioBiteCorrector® MS and BioBiteCorrector® SA models may be used as anti-snoring device. These models do not have an internal coil spring.

BioBiteCorrector[®] SA

(with wire connector, without spring)
Size Standard

BioBiteCorrector[®] SA - 1 Pair

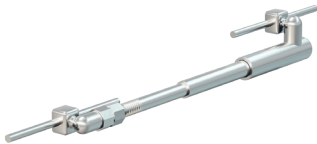
with 4 pieces auxiliary elements
Size Standard | Ref. 205-2015-31



BioBiteCorrector[®] SA
is only available via our
laboratory service as
BBC Herbst, as **BBC Sleep
Appliance** and as spare parts.

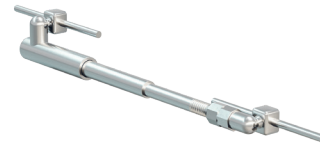
BioBiteCorrector[®] SA - Right

with 2 pieces auxiliary elements
Size Standard | Ref. 205-2015-32



BioBiteCorrector[®] SA - Left

with 2 pieces auxiliary elements
Size Standard | Ref. 205-2015-33

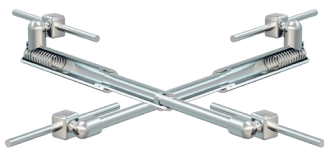


BioBiteCorrector[®] FA

(with wire connector and internal coil spring)
Size Standard

BioBiteCorrector[®] FA - 1 Pair

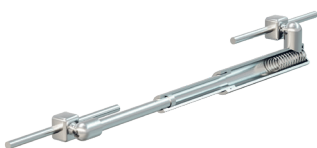
with 4 pieces auxiliary elements
Size Standard | Ref. 205-2016-31



BioBiteCorrector[®] FA
is only available via our
laboratory service as
BBC Herbst, as **BBC Sleep
Appliance** and as spare parts.

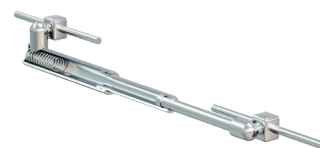
BioBiteCorrector[®] FA - Right

with 2 pieces auxiliary elements
Size Standard | Ref. 205-2016-32



BioBiteCorrector[®] FA - Left

with 2 pieces auxiliary elements
Size Standard | Ref. 205-2016-33

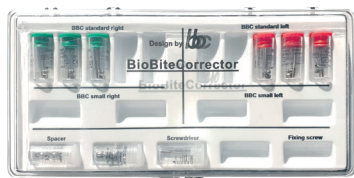


BioBiteCorrector® SP

(with screw connector and internal coil spring)
Size Standard

BioBiteCorrector® SP - Kit

3 Pair BBC SP Standard, 20 titanium spacer,
Handle for screwdriver, BBC Screwdriver 20 mm
Ref. 205-2016-10



BioBiteCorrector® SP - Right

with 2 Titanium Fixing Screws
Size Standard | Ref. 205-2016-12



BioBiteCorrector® SP - 1 Pair

with 4 Titanium Fixing Screws
Size Standard | Ref. 205-2016-11



BioBiteCorrector® SP - Left

with 2 Titanium Fixing Screws
Size Standard | Ref. 205-2016-13

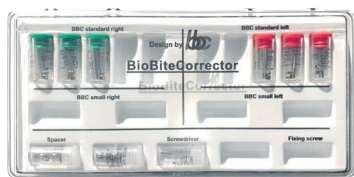


BioBiteCorrector® MS

(with screw connector, without internal coil spring)
Size Standard and Small

BioBiteCorrector® MS - Kit

3 Pair BBC MS Standard, 20 titanium spacer,
Handle for screwdriver, BBC Screwdriver 20 mm
Ref. 205-2015-10



BioBiteCorrector® MS - Right

with 2 Titanium Fixing Screws
Size Standard | Ref. 205-2015-12
Size Small | Ref. 205-2015-22



BioBiteCorrector® MS - 1 Pair

with 4 Titanium Fixing Screws
Size Standard | Ref. 205-2015-11
Size Small | Ref. 205-2015-21



BioBiteCorrector® MS - Left

with 2 Titanium Fixing Screws
Size Standard | Ref. 205-2015-13
Size Small | Ref. 205-2015-23



BioBiteCorrector® Accessories

Titanium spacer

20 pieces	1,0 mm	Ref. 205-2010-32
20 pieces	1,5 mm	Ref. 205-2010-33
10 pieces	2,0 mm	Ref. 205-2010-34



BBC Screwdriver

1 piece for Q handle	20 mm	Ref. 205-Q2113
	30 mm	Ref. 205-Q2113L



Q Handle for screwdriver

1 piece		Ref. 205-Q2112
---------	--	----------------



Torque-Ratchet

1 piece for Q handle		Ref. 205-QX30
----------------------	--	---------------



BBC Open End Wrench

1 piece for BBC SA		Ref. 205-2019-55
--------------------	--	------------------



BBC Box

1 piece		Ref. 205-BOX13
---------	--	----------------



Titanium Fixing Screw

10 pieces		Ref. 205-2010-44
-----------	--	------------------



BBC MS Body with screw

4 pieces Auxiliary elements for the laboratory		Ref. 205-2018-11
--	--	------------------



BBC Square Wire

4 pieces .025" x .025" x 50 mm Auxiliary element for the laboratory		Ref. 205-W025-18
---	--	------------------





BBC Orthotec GmbH

We develop, manufacture
and distribute products
for orthodontics
and sleep medicine.

BBC-Orthotec GmbH
Innsbrucker Str. 2
83435 Bad Reichenhall
Germany
Phone: +49 (0)8651 / 9650099
Fax: +49 (0)8651 / 9650098
E-Mail: info@bbc-orthotec.de
Url: bbc-orthotec.de