

WORLD BIO TECH

The Medical Partner for a Better Future



WBT



www.wbtkorea.com

World Bio Tech

- + Customer satisfaction is our top priority.
- + Striving to develop advanced technology and quality products.
- + Meet "the" WORLD BIO TECH that improves the quality of your life.

Certification



GMP



ISO13485



CE



Certificate



Venture business confirmation

Contents

We are continuously developing effective products that are straightforward for dentists and comfortable for patients.

Orthodontic Brackets & Tubes

04

Mach
Self-Ligating
Ceramic
Bracket



06

Bijou
Monocrystalline
Sapphire
Ceramic
Bracket



08

X.O
Non-Extraction
Monocrystalline
Sapphire Ceramic
Bracket



10

Bright Advance
Polycrystalline
Ceramic
Bracket



12

Lucid
Resin
Bracket



14

Delicate
Metal
Bracket



16

Buccal Tube
Weldable



17

LP Buccal Tube
Bondable



Arch Wires

17

Mini Buccal Tube
Bondable



18

SMART Ni-Ti Arch Wire
Super Elastic



19

SMART Copper Ni-Ti Arch Wire



19

SMART Reverse Curve Ni-Ti Arch Wire



Attachments

20

SMART Stainless Steel Arch Wire



21

Multi Button



22

Attachments



24

Automatic Strips IPR System



Fix Crew™

26

Fix Crew™ Orthodontic Screw System



Elastomeric

28

Elastomeric



Elastic

29

Elastic Intraoral



Instruments

30

Cutters



31

Utility Pliers



32

Wire Bending Pliers



36

Removing Pliers

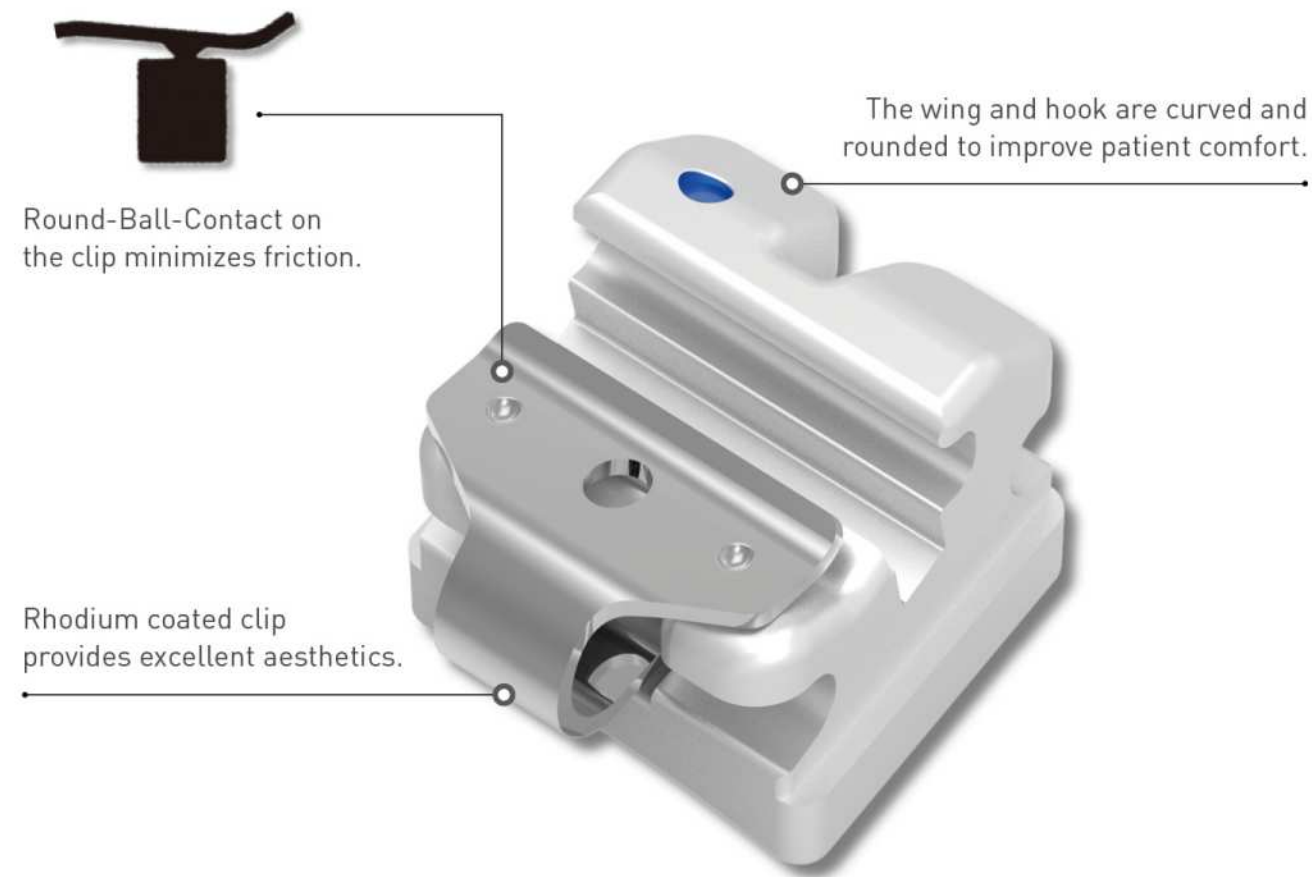


37

Other Pliers



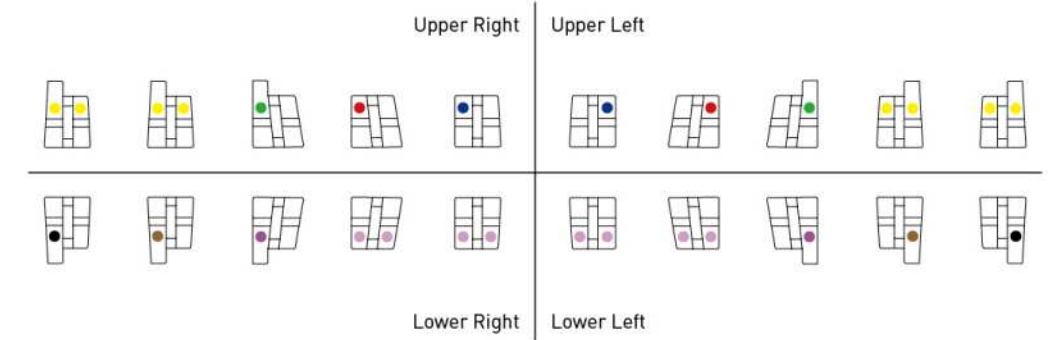
MACH Self-Ligating Ceramic Bracket



Tired of having to spend an eternity on the chair at the clinic? Or enduring an equally long and everlasting length of treatment? We offer the best alternative for these problems. You can reduce both your chair-time and length of treatment at "Mach" speed with our self-ligation ceramic bracket Mach.

The full-time passive/active bracket allows wires to continuously move teeth with significantly reduced friction. World Bio Tech's advanced Round-Ball-Contact technique on the clip further reduces the friction. With both the self-ligating clip and superbly reduced friction, the length of treatment can be significantly shortened.

This combination provides maximum aesthetics in a bracket. For patients who want both the aesthetics and reduced length of treatment, Mach is certainly the right choice.



ROTH .022

	Tooth	Torque	Ang
Maxillary	Central	12°	5°
	Lateral	8°	9°
	Cuspid with Hook	-2°	11°
	1 st Bicuspid with Hook	-7°	0°
	2 nd Bicuspid with Hook	-7°	0°
Mandibular	Anterior	0°	0°
	Cuspid with Hook	-11°	7°
	1 st Bicuspid with Hook	-17°	0°
	2 nd Bicuspid with Hook	-22°	0°

* How to use the opener : Put the opener in the hole of clip and position the opener in a straight line to the tooth root. And then open the clip.



* The World Bio Tech Co., Ltd. Version of the Roth System is not claimed to be a duplication of any other, nor does World Bio Tech Co., Ltd. imply that it is endorsed in any way by Dr. Roth

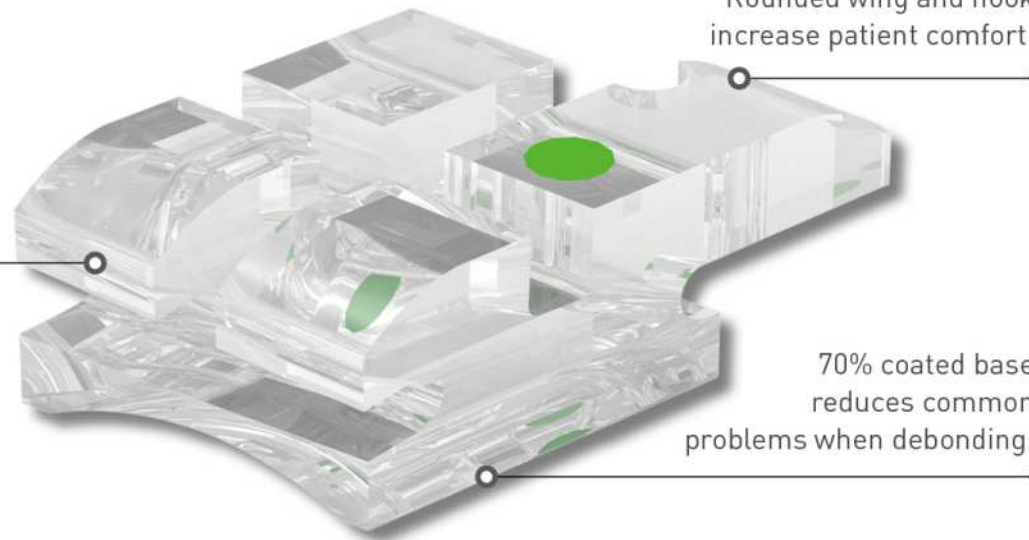
BIJOU Monocrystalline Sapphire Ceramic Bracket

Plasma Silica Coating on the body and slot maximizes performance on sliding while minimizing chance of fracture.

Monocrystalline sapphire bracket is nearly invisible on the tooth.

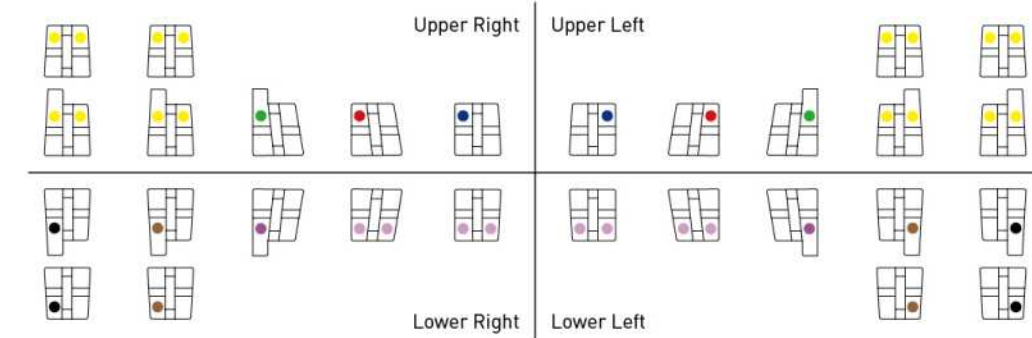
Rounded wing and hook increase patient comfort.

70% coated base reduces common problems when debonding.



Like the French word “Bijou”, which means “Jewel” in English. The world’s clearest monocrystalline sapphire bracket “Bijou” is not only a bracket; it is like a “jewel” itself. After a process of heat polishing and plasma silica coating, it becomes extremely smooth and clear. This provides to great comfort and aesthetics for the patients.

Bijou is made from pure grown sapphire, the second hardest material in the world, which also has strong bonding strength. Once bonded on your tooth, it will stay until you debond with debonding pliers. The most common problems with sapphire brackets have been “debonding”. But, you don’t need to worry about that anymore. From World Bio Tech’s special technique, spreading Al_2O_3 powder on 70% of the base of the bracket, Bijou has both a strong bonding strength while at the same time being easy to debond.



ROTH .018/.022

	Tooth	Torque	Ang
Maxillary	Central	12°	5°
	Lateral	8°	9°
	Cuspid with Hook	-2°	11°
	1 st Bicuspid With Hook	-7°	0°
	1 st Bicuspid Without Hook	-7°	0°
	2 nd Bicuspid With Hook	-7°	0°
Mandibular	Anterior	0°	0°
	Cuspid with Hook	-11°	7°
	1 st Bicuspid With Hook	-17°	0°
	1 st Bicuspid Without Hook	-17°	0°
	2 nd Bicuspid With Hook	-22°	0°
	2 nd Bicuspid Without Hook	-22°	0°

MBT .018/.022

	Tooth	Torque	Ang
Maxillary	Central	17°	4°
	Lateral	10°	8°
	Cuspid with Hook	0°	8°
	1 st Bicuspid With Hook	-7°	0°
	1 st Bicuspid Without Hook	-7°	0°
	2 nd Bicuspid With Hook	-7°	0°
Mandibular	Anterior	-6°	0°
	Cuspid with Hook	0°	3°
	1 st Bicuspid With Hook	-12°	2°
	1 st Bicuspid Without Hook	-12°	2°
	2 nd Bicuspid With Hook	-17°	2°
	2 nd Bicuspid Without Hook	-17°	2°



* The World Bio Tech Co., Ltd. Version of the Roth System is not claimed to be a duplication of any other, nor does World Bio Tech Co., Ltd. imply that it is endorsed in any way by Dr. Roth.

* The World Bio Tech Co., Ltd. Version of the MBT System is not claimed to be a duplication of any other, nor does World Bio Tech Co., Ltd. imply that it is endorsed in any way by Drs. McLaughlin, Bennett or Trevisi.

X.O (Extra Order) Non-Extraction Monocrystalline Sapphire Ceramic Bracket

Plasma Silica Coating on the body and slot maximizes performance on sliding while minimizing chance of fracture.

Specialized low torque and angulation for non-extraction treatments.

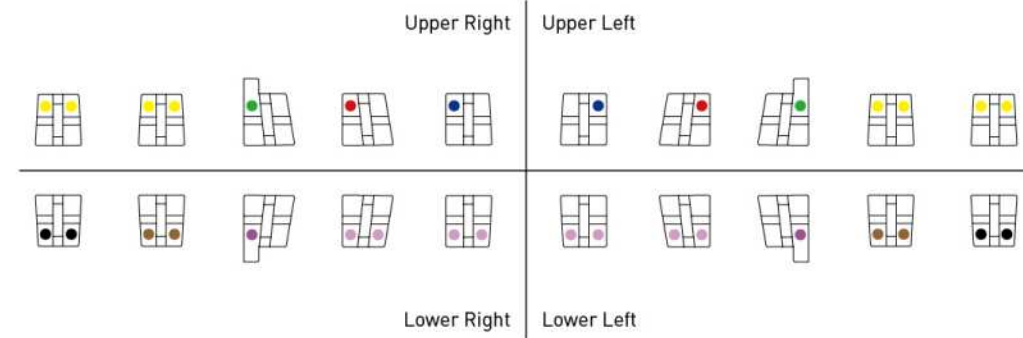
Rounded wing and hook increase patient comfort.

70% coated base reduces common problems when debonding.



X.O is a specially designed brackets for non-extraction cases. By its' low torque and unique angulation, patients who do not need to extract teeth for their treatments, patients would have their treatment with perfect root control.

X.O is made from pure grown sapphire, the second hardest material in the world, which also has strong bonding strength. Once bonded on your tooth, it will stay until you debond with debonding pliers. The most common problems with sapphire brackets have been "debonding". But, you don't need to worry about that anymore. From World Bio Tech's special technique, spreading Al_2O_3 powder on 70% of the base of the bracket, X.O has both a strong bonding strength while at the same time being easy to debond.



X-O .018

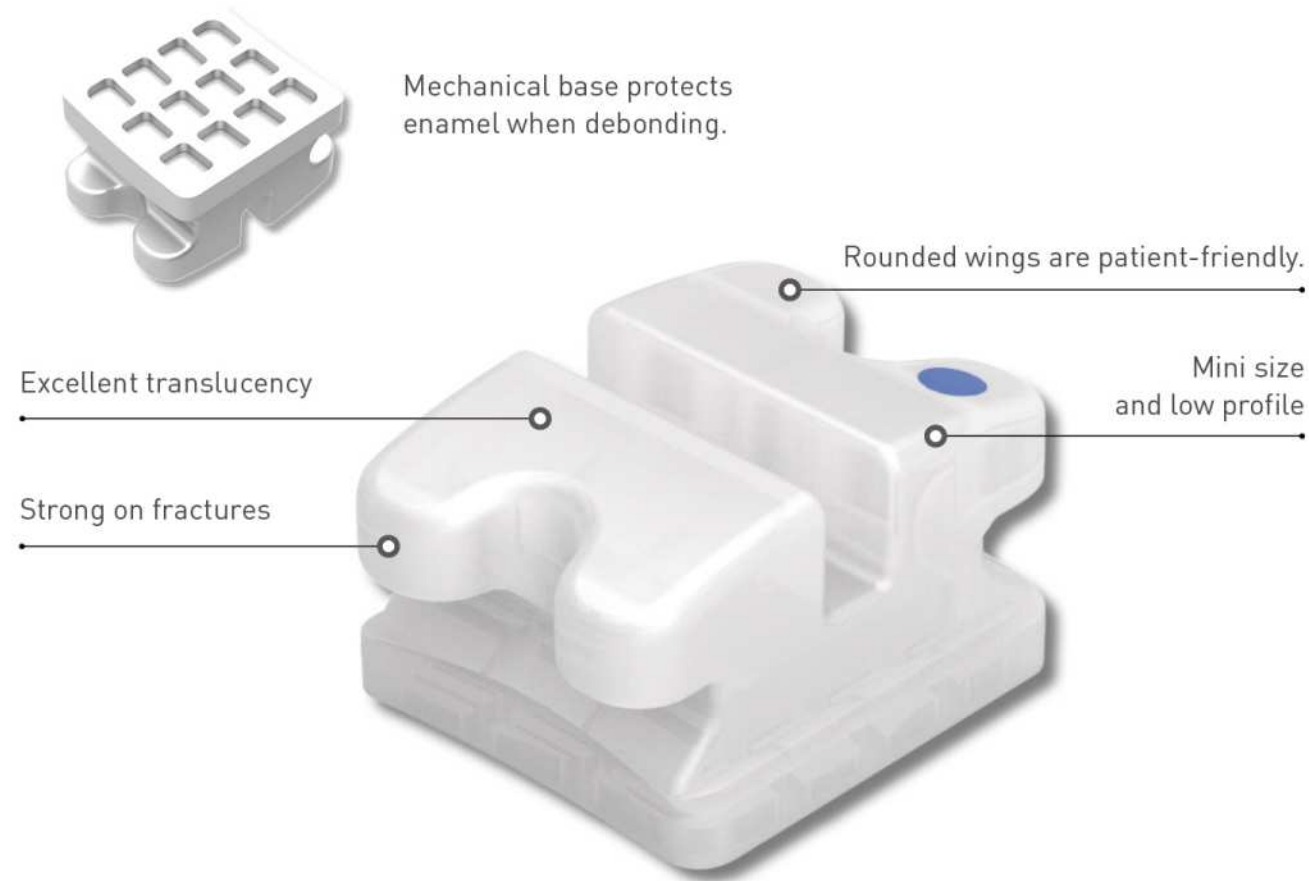
	Tooth	Torque	Ang
Maxillary	Central	7°	5°
	Lateral	3°	8°
	Cuspid with Hook	-3°	5°
	1 st Bicuspid Without Hook	-7°	0°
	2 nd Bicuspid Without Hook	-7°	0°
Mandibular	Anterior	-6°	0°
	Cuspid with Hook	-3°	3°
	1 st Bicuspid Without Hook	-12°	0°
	2 nd Bicuspid Without Hook	-17°	0°

X-O .022

	Tooth	Torque	Ang
Maxillary	Central	7°	5°
	Lateral	3°	8°
	Cuspid with Hook	-3°	5°
	1 st Bicuspid Without Hook	-7°	0°
	2 nd Bicuspid Without Hook	-7°	0°
Mandibular	Anterior	-6°	0°
	Cuspid with Hook	-3°	3°
	1 st Bicuspid Without Hook	-12°	0°
	2 nd Bicuspid Without Hook	-17°	0°



BRIGHT ADVANCE Polycrystalline Ceramic Bracket

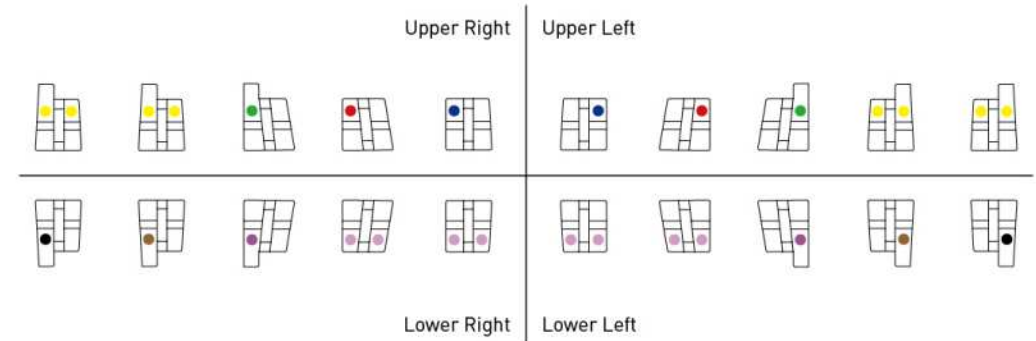


For patients who want a bright smile, World Bio Tech offers Bright Advance. Bright Advance, made from polycrystalline ceramic, is the bracket that with brighten your smile.

From its excellent translucency, the bracket is almost invisible on the tooth. From its mini-size, low-profile, and rounded wings and hooks, the bracket provides ultimate comfort for patients.

From the material Polycrystalline ceramic's density significantly reduces the chances of fracture.

The mechanical base provides great bonding strength and protects the enamel when debonding.



ROTH .018/.022

	Tooth	Torque	Ang
Maxillary	Central	12°	5°
	Lateral	8°	9°
	Cuspid with Hook	-2°	11°
	1 st Bicuspid With Hook	-7°	0°
	2 nd Bicuspid With Hook	-7°	0°
Mandibular	Anterior	-1°	0°
	Cuspid with Hook	-11°	7°
	1 st Bicuspid With Hook	-17°	0°
	2 nd Bicuspid With Hook	-22°	0°

MBT .022

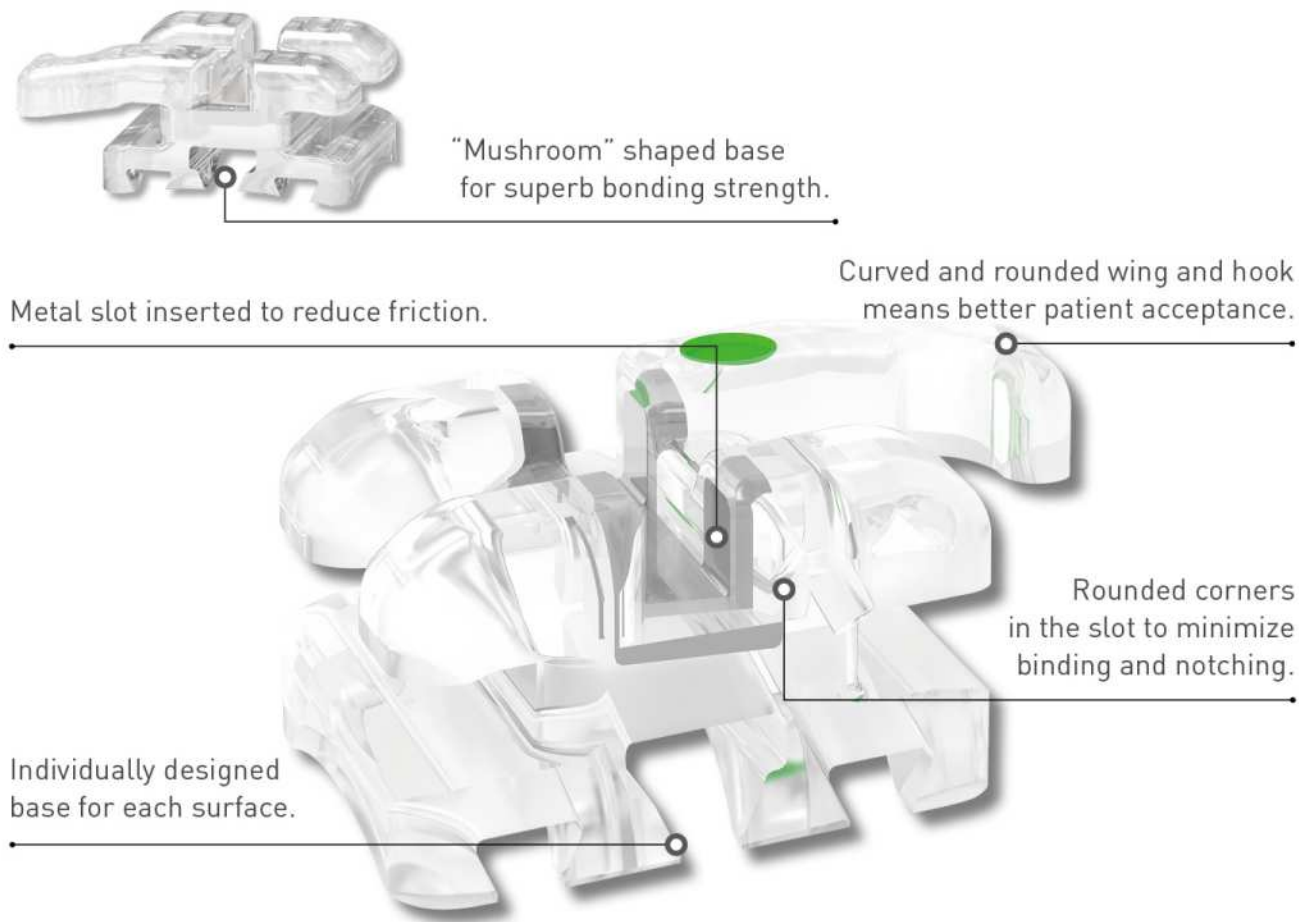
	Tooth	Torque	Ang
Maxillary	Central	17°	4°
	Lateral	10°	8°
	Cuspid with Hook	0°	8°
	1 st Bicuspid With Hook	-7°	0°
	2 nd Bicuspid With Hook	-7°	0°
Mandibular	Anterior	-6°	0°
	Cuspid with Hook	0°	3°
	1 st Bicuspid With Hook	-12°	2°
	2 nd Bicuspid With Hook	-17°	2°



* The World Bio Tech Co., Ltd. Version of the Roth System is not claimed to be a duplication of any other, nor does World Bio Tech Co., Ltd. imply that it is endorsed in any way by Dr. Roth.

* The World Bio Tech Co., Ltd. Version of the MBT System is not claimed to be a duplication of any other, nor does World Bio Tech Co., Ltd. imply that it is endorsed in any way by Drs. McLaughlin, Bennett or Trevisi.

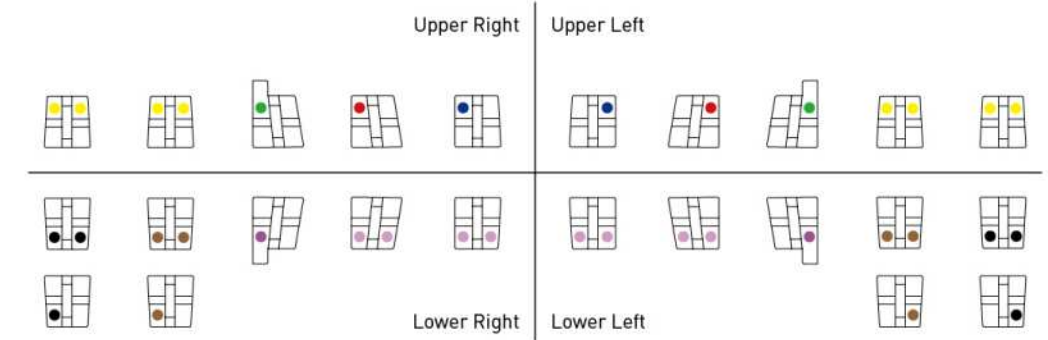
LUCID Resin Bracket



The perfectly designed, transparent bracket Lucid. Addresses the most common issues with resin brackets: discoloration and abrasion. From the unique material of World Bio Tech, Lucid retains its clearness from when it is first bonded until it is debonded.

Lucid also retains its shape throughout the treatment thanks to its superior hardness. Curved and rounded wings and hooks mean better patient comfort. Patients will feel more comfortable ever with Lucid than with any other bracket.

Lucid's metal slot significantly reduces friction. And with the unique design of the metal slot, it will appear to be almost invisible on the tooth. This means great aesthetics to the patients. The individually designed base for the surface of each tooth along with the mushroom-shaped base allow for greater strength when bonding.



ROTH .018/.022

	Tooth	Torque	Ang
Maxillary	Central	12°	5°
	Lateral	8°	9°
	Cuspid with Hook	-2°	11°
	1 st Bicuspid Without Hook	-7°	0°
	2 nd Bicuspid Without Hook	-7°	0°
Mandibular	Anterior	0°	0°
	Cuspid with Hook	-11°	7°
	1 st Bicuspid Without Hook	-17°	0°
	2 nd Bicuspid Without Hook	-22°	0°

MBT .022

	Tooth	Torque	Ang
Maxillary	Central	17°	4°
	Lateral	10°	8°
	Cuspid with Hook	0°	8°
	1 st Bicuspid Without Hook	-7°	0°
	2 nd Bicuspid Without Hook	-7°	0°
Mandibular	Anterior	-6°	0°
	Cuspid with Hook	0°	3°
	1 st Bicuspid Without Hook	-12°	2°
	2 nd Bicuspid Without Hook	-17°	2°



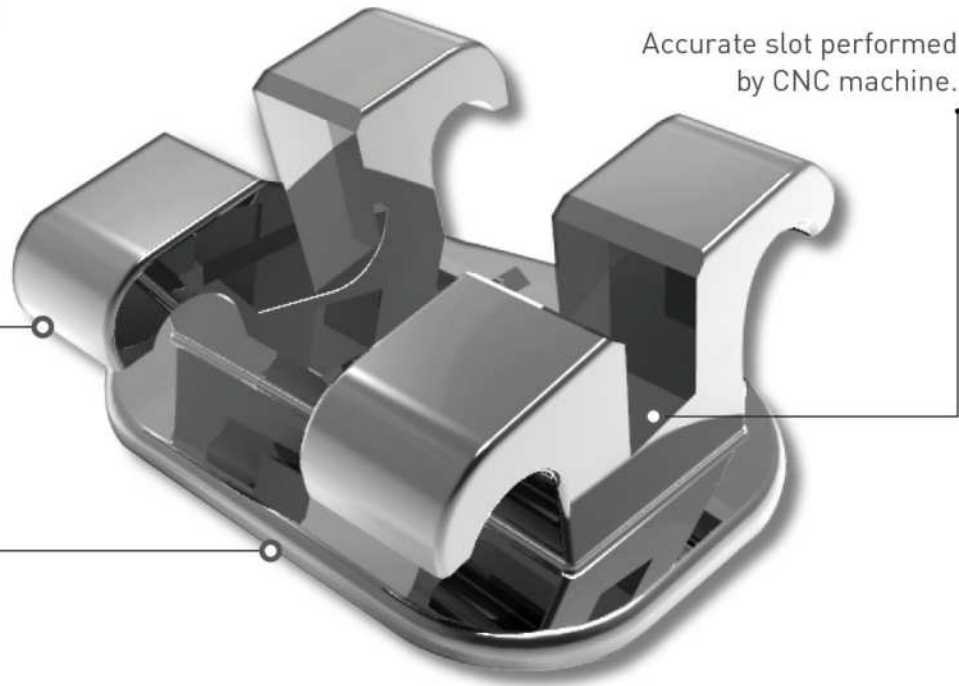
* The World Bio Tech Co., Ltd. Version of the Roth System is not claimed to be a duplication of any other, nor does World Bio Tech Co., Ltd. imply that it is endorsed in any way by Dr. Roth.

* The World Bio Tech Co., Ltd. Version of the MBT System is not claimed to be a duplication of any other, nor does World Bio Tech Co., Ltd. imply that it is endorsed in any way by Drs. McLaughlin, Bennett or Trevisi.

DELICATE Metal Bracket



Laser marking on individual base.



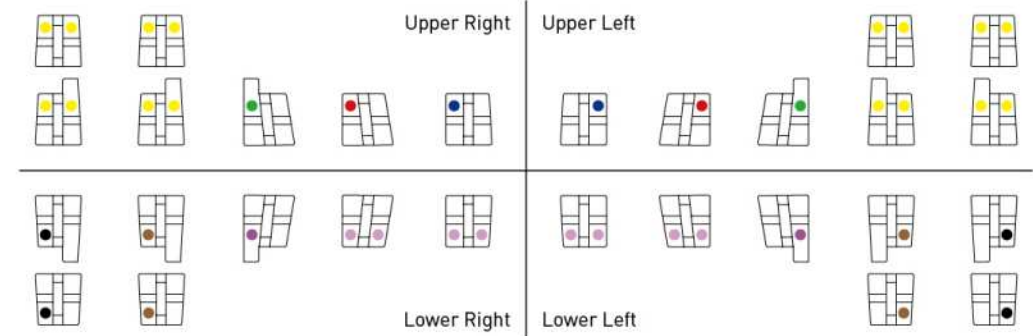
Accurate slot performed by CNC machine.

Rounded wings increase patient comfort.

Mini Size & Low Profile

The most proven and with its longest history, metal brackets became byword for orthodontics. For over 200 years, dentists and orthodontist have studied and researched orthodontic treatments with metal brackets. From databases and research, there is no doubt that metal brackets are more delicate than any other brackets.

“Delicate” the metal bracket is manufactured with the latest techniques. The brackets are manufactured with delicate CNC machines, which provide accurate slot. This leads to accurate treatments, which satisfies both doctors and patients. Its mini-size and low profile is more patient-friendly than any other bracket.



ROTH .018/.022

	Tooth	Torque	Ang
Maxillary	Central	12°	5°
	Lateral	8°	9°
	Cuspid with Hook	-2°	11°
	1 st Bicuspid With Hook	-7°	0°
	1 st Bicuspid Without Hook	-7°	0°
	2 nd Bicuspid With Hook	-7°	0°
Mandibular	Anterior	-1°	0°
	Cuspid with Hook	-11°	5°
	1 st Bicuspid With Hook	-17°	0°
	1 st Bicuspid Without Hook	-17°	0°
	2 nd Bicuspid With Hook	-22°	0°
	2 nd Bicuspid Without Hook	-22°	0°

MBT .018/.022

	Tooth	Torque	Ang
Maxillary	Central	17°	4°
	Lateral	10°	8°
	Cuspid with Hook	0°	8°
	1 st Bicuspid With Hook	-7°	0°
	1 st Bicuspid Without Hook	-7°	0°
	2 nd Bicuspid With Hook	-7°	0°
Mandibular	Anterior	-6°	0°
	Cuspid with Hook	0°	3°
	1 st Bicuspid With Hook	-12°	2°
	1 st Bicuspid Without Hook	-12°	2°
	2 nd Bicuspid With Hook	-17°	2°
	2 nd Bicuspid Without Hook	-17°	2°



* The World Bio Tech Co., Ltd. Version of the Roth System is not claimed to be a duplication of any other, nor does World Bio Tech Co., Ltd. imply that it is endorsed in any way by Dr. Roth.

* The World Bio Tech Co., Ltd. Version of the MBT System is not claimed to be a duplication of any other, nor does World Bio Tech Co., Ltd. imply that it is endorsed in any way by Drs. McLaughlin, Bennett or Trevisi.

BUCCAL TUBE

Weldable



Triple



Double



Twin

	Tooth		Torque	Offset
ROTH .018/.022	Maxillary	1 st Molars	-14°	10°
	Mandibular	1 st Molars	-25°	4°
MBT .022	Maxillary	1 st Molars	-14°	10°
	Mandibular	1 st Molars	-20°	0°



Single #6



Single #7

	Tooth		Torque	Offset
ROTH .018/.022	Maxillary	1 st Molars	-14°	10°
		2 nd Molars	-14°	10°
	Mandibular	1 st Molars	-25°	4°
		2 nd Molars	-25°	4°
MBT .022	Maxillary	1 st Molars	-14°	10°
		2 nd Molars	-14°	10°
	Mandibular	1 st Molars	-20°	0°
		2 nd Molars	-20°	0°

*The World Bio Tech Co., Ltd. Version of the Roth System is not claimed to be a duplication of any other, nor does World Bio Tech Co., Ltd. Imply that it is endorsed in any way by Dr. Roth

*The World Bio Tech Co., Ltd. Version of the MBT System is not claimed to be a duplication of any other, nor does World Bio Tech Co., Ltd. Imply that it is endorsed in any way by Drs. McLaughlin, Bennett or Trevisi.

LP BUCCAL TUBE

Orthodontic Brackets & Tubes

Bondable



Single #6



Single #7

	Tooth		Torque	Offset
ROTH .022	Maxillary	1 st Molars	-14°	10°
		2 nd Molars	-14°	10°
	Mandibular	1 st Molars	-25°	4°
		2 nd Molars	-25°	4°
MBT .022	Maxillary	1 st Molars	-14°	10°
		2 nd Molars	-14°	10°
	Mandibular	1 st Molars	-20°	0°
		2 nd Molars	-20°	0°

*The World Bio Tech Co., Ltd. Version of the Roth System is not claimed to be a duplication of any other, nor does World Bio Tech Co., Ltd. Imply that it is endorsed in any way by Dr. Roth

*The World Bio Tech Co., Ltd. Version of the MBT System is not claimed to be a duplication of any other, nor does World Bio Tech Co., Ltd. Imply that it is endorsed in any way by Drs. McLaughlin, Bennett or Trevisi.

MINI BUCCAL TUBE

Bondable

- Mini-size tube increases patient comfort.
- Funnel-shaped wire-insert makes it easy to insert wires.



Single



Twin

	Tooth		Torque	Offset
ROTH .022 (Single)	Maxillary	1 st Molars	-14°	10°
		2 nd Molars	-14°	10°
	Mandibular	1 st Molars	-25°	4°
		2 nd Molars	-25°	4°
ROTH .022 (Twin)	Maxillary	1 st Molars	-14°	10°
	Mandibular	1 st Molars	-25°	4°

*The World Bio Tech Co., Ltd. Version of the Roth System is not claimed to be a duplication of any other, nor does World Bio Tech Co., Ltd. Imply that it is endorsed in any way by Dr. Roth

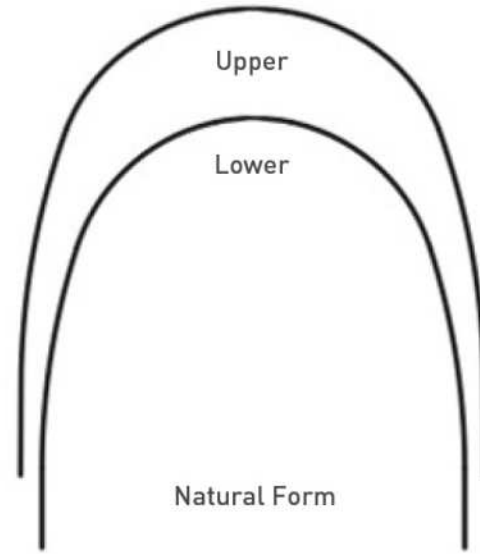
ARCH WIRE

SMART NI-TI Super Elastic

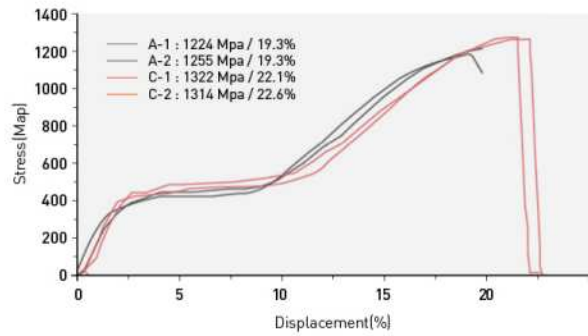
- Super elastic provides superb restoring force.
- Premium quality wire manufactured after numerous bending, tension and transformation tests.
- “Natural Form” optimized for orthodontics.

Wire Size	(10EA / 1PKG)
Round	.010 .012 .014 .016 .018 .020
Rect	.016x.016 .016x.022 .017x.025 .018x.025 .019x.025 .021x.025

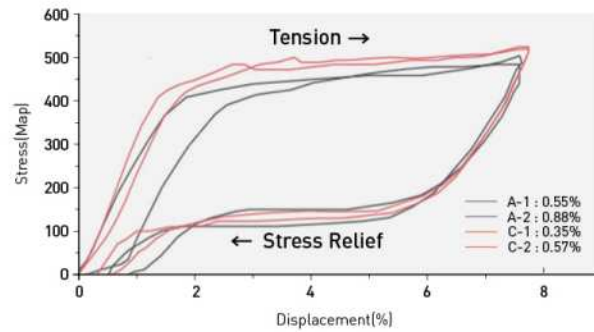
* The World Bio Tech Co., Ltd. Version of the Natural Form is not claimed to be a duplication of any other, nor does World Bio Tech Co., Ltd. imply that it is endorsed in any way by any other.



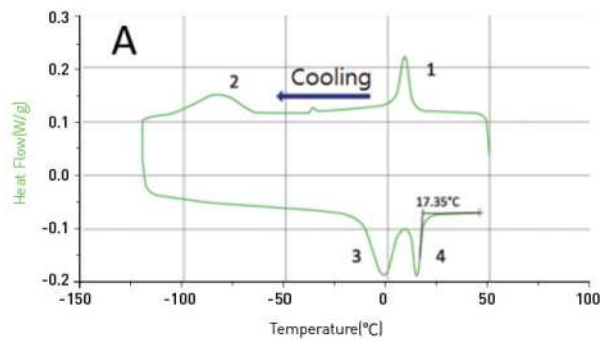
Tension Test



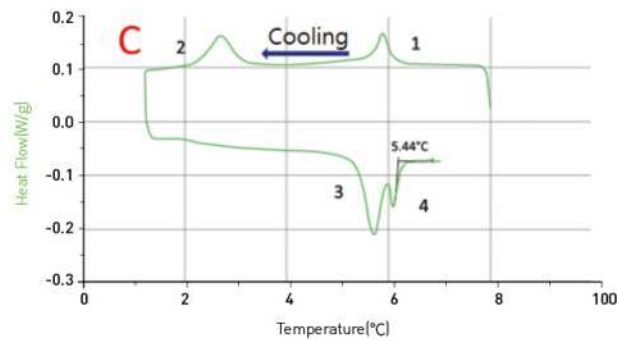
Bending Test



Transformation Temperature



A Company : 17.35°C



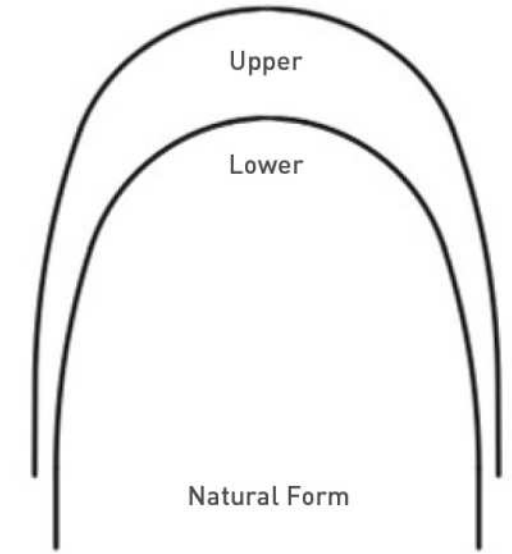
WBT SMART Ni-Ti Wire : 5.44°C

ARCH WIRE

SMART COPPER NI-TI

- Wires alloyed with copper, nickel, titanium.
- Shape memory effect occurs at 35°C.
- Constant force and long durability provide efficient sliding performance.

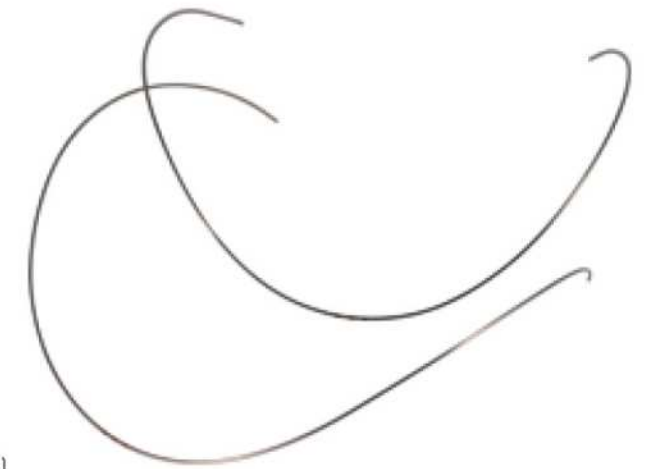
Wire Size	(10EA / 1PKG)
Round	.012 .014 .016 .018 .020
Rect	.016x.022 .017x.025 .018x.025 .019x.025 .021x.025



ARCH WIRE

SMART REVERSE CURVE NI-TI

- Minimizes friction with smooth surface.
- Durable wires maintain arch forms.
- Efficient resisting force.
- Bite opening or closing.
- Initial leveling and aligning.
- Arch consolidation and expansion.
- Deep and open bite correction.



Wire Size	(10EA / 1PKG)
Round	.012 .014 .016 .018 .020
Rect	.016x.022 .017x.025 .018x.025 .019x.025 .021x.025

ARCH WIRE

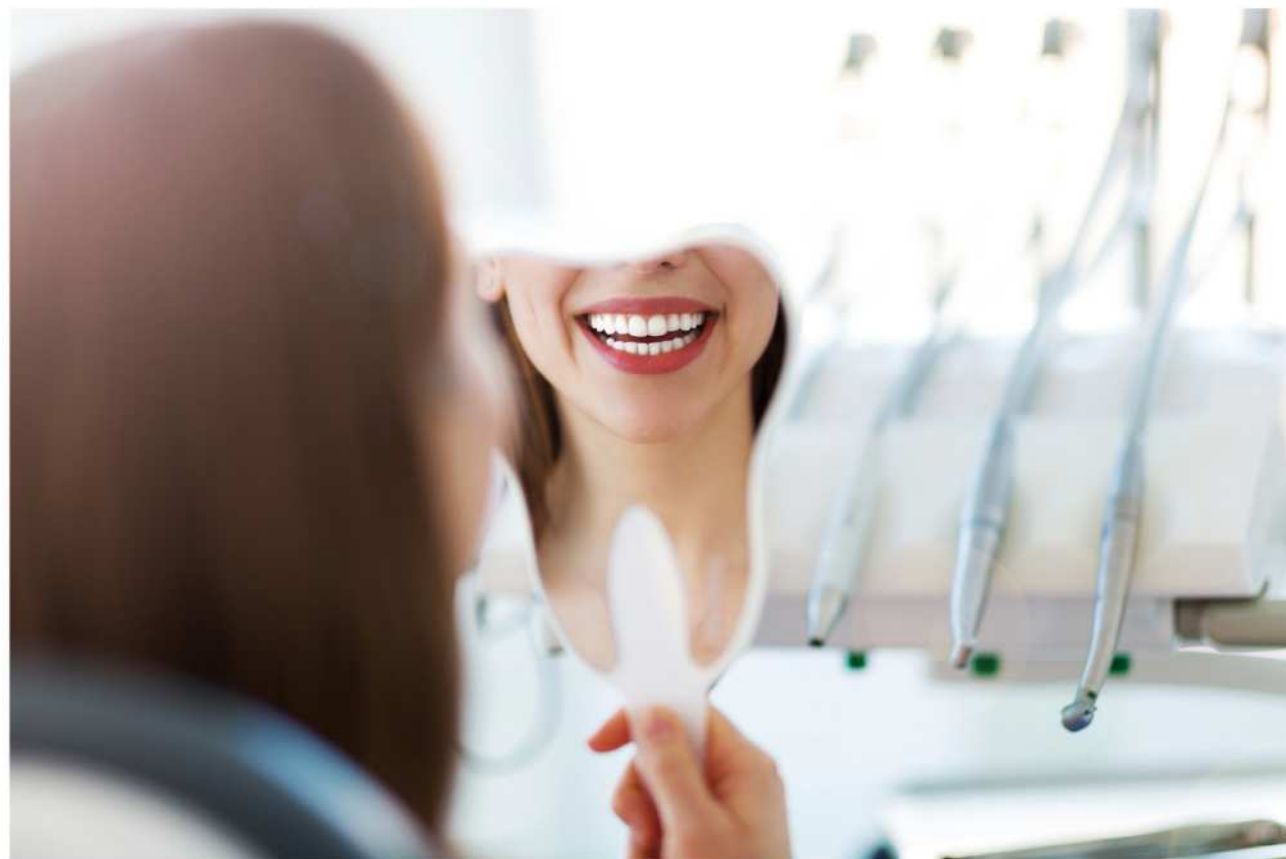
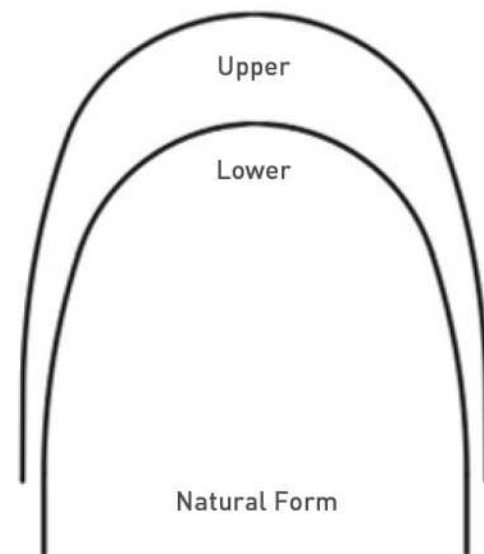
SMART STAINLESS STEEL

Arch Wire

- Minimizes friction with smooth surface.
- Exact size and arch form provide deliberate controls on torque.
- Premium-quality wires provide maximum performance from the finest grade of stainless steel.

Wire Size (25EA / 1PKG)

Round	.012 .014 .016 .018 .020
Rect	.016x.022 .017x.025 .018x.025 .019x.025 .021x.025



MULTI BUTTON

Attachments

20
21

Minor Tooth Movement

Circle Type EMB-C100
Belt Type EMB-B100
(20 EA in 1 Package)

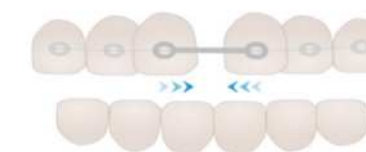


- Easy for simple anterior leveling.
- Multiple holes on the base maximize bonding strength.
- Wire up to 018 can be inserted through the slot on the neck of the buttons.
- Can be used like normal metal buttons.
- Circle / Belt Type

Upright



Space Closing



Leveling Alignment



ATTACHMENTS

Torquing Spring



	Size/Part	Central Gingival	Anterior	Central Occlusal
Torquing Spring	16X22	Large	Medium	Small
		500-17	500-16	500-15
	19X25	Large	Medium	Small
		500-20	500-19	500-18

Torquing Spring is designed to give extra torque by the end of the treatment.
* Available ONLY on wires 16*22 and 19*25

Ni-Ti Closed Coil Spring



	Size	Force	Part No.
Ni-Ti Closed Coil Spring	6mm	Heavy Force	500-25
	9mm	Medium Force	500-24
	12mm	Light Force	500-23

Ni-Ti Closed Coil Spring is designed to close spaces between the teeth or to give extra force during treatments.

Crimpable Hook

10 EA / 1 PKG

T Top 2.7mm

500-05



Crimpable Hook

10 EA / 1 PKG

T Top 4mm

500-06



Crimpable Hook

10 EA / 1 PKG

7mm

500-07 (Right)
500-08 (Left)



Crimpable Stop

10 EA / 1 PKG

500-01



DBS Metal Button

10 EA / 1 PKG

500-12



Button with Hook

10 EA / 1 PKG

500-09 (Right)
500-10 (Left)



Weldable Button

10 EA / 1 PKG

500-11



Lingual Sheath

10 EA / 1 PKG

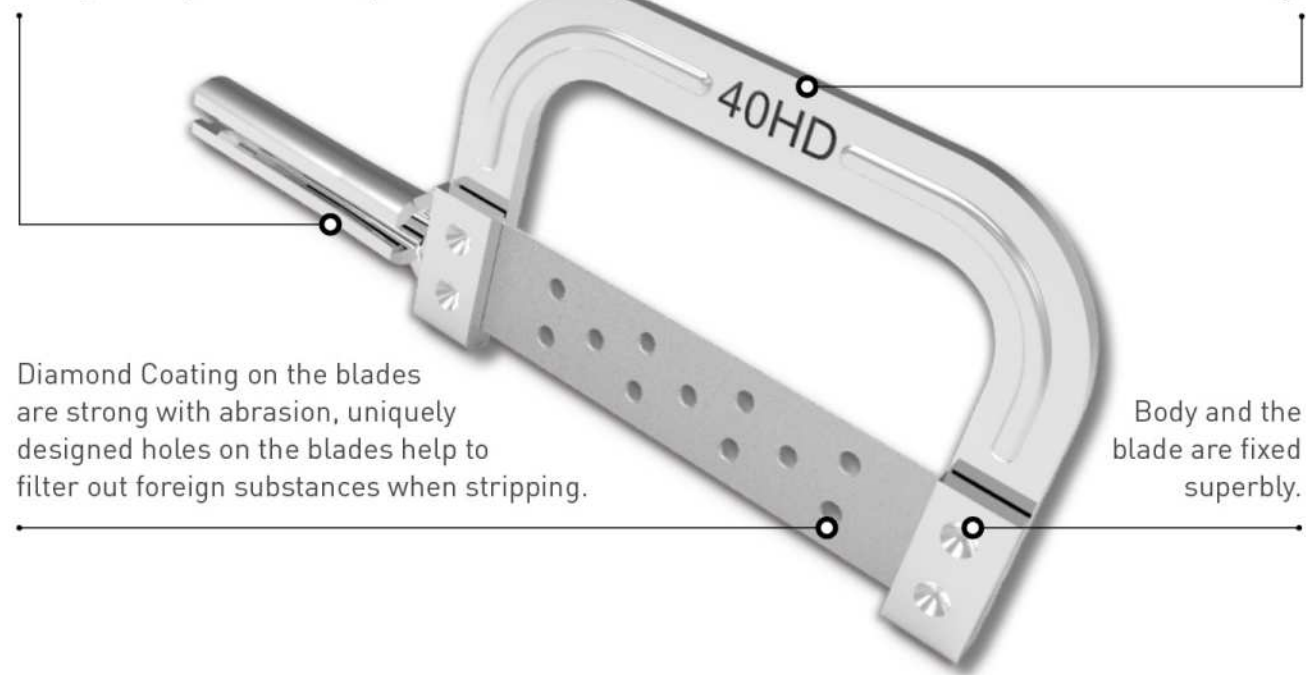
500-02



AUTOMATIC STRIPS IPR System

Locking Tapered type makes it easy to insert and eject strips from hand-piece.

Easy to identify the size by laser-marking.



Diamond Coating on the blades are strong with abrasion, uniquely designed holes on the blades help to filter out foreign substances when stripping.

Body and the blade are fixed superbly.

During orthodontic or prosthesis treatment, you might have to make extra space between the teeth. Our Automatic Strips are the best solution for that situation. When these strips are used with a hand-piece, they will noticeably reduce the chair-time compared to hand-strips.

These strips will work on cases such as making space for crowding anterior, rotation, protruded anterior and etc. These strips work more efficiently for non-extraction treatment and clear aligners.

Double Sided

- 15 Micron 15HD
- 25 Micron 25HD
- 40 Micron 40HD
- 60 Micron 60HD
- 90 Micron 90HD



Single Sided

- 15 Micron Right & Left 15HR/HL
- 25 Micron Right & Left 25HR/HL
- 40 Micron Right & Left 40HR/HL
- 60 Micron Right & Left 60HR/HL
- 90 Micron Right & Left 90HR/HL



IPR Strip for Clear Aligning

- 0.1mm T0.1
- 0.2mm T0.2
- 0.3mm T0.3
- 0.4mm T0.4



For Polishing

- 8 Micron 8HD



Saw Type

For Starter



Tip Ejector

To remove strips from hand-piece



Space Gauge

P-152

- 0.10mm
- 0.15mm
- 0.20mm
- 0.25mm
- 0.30mm
- 0.40mm
- 0.50mm

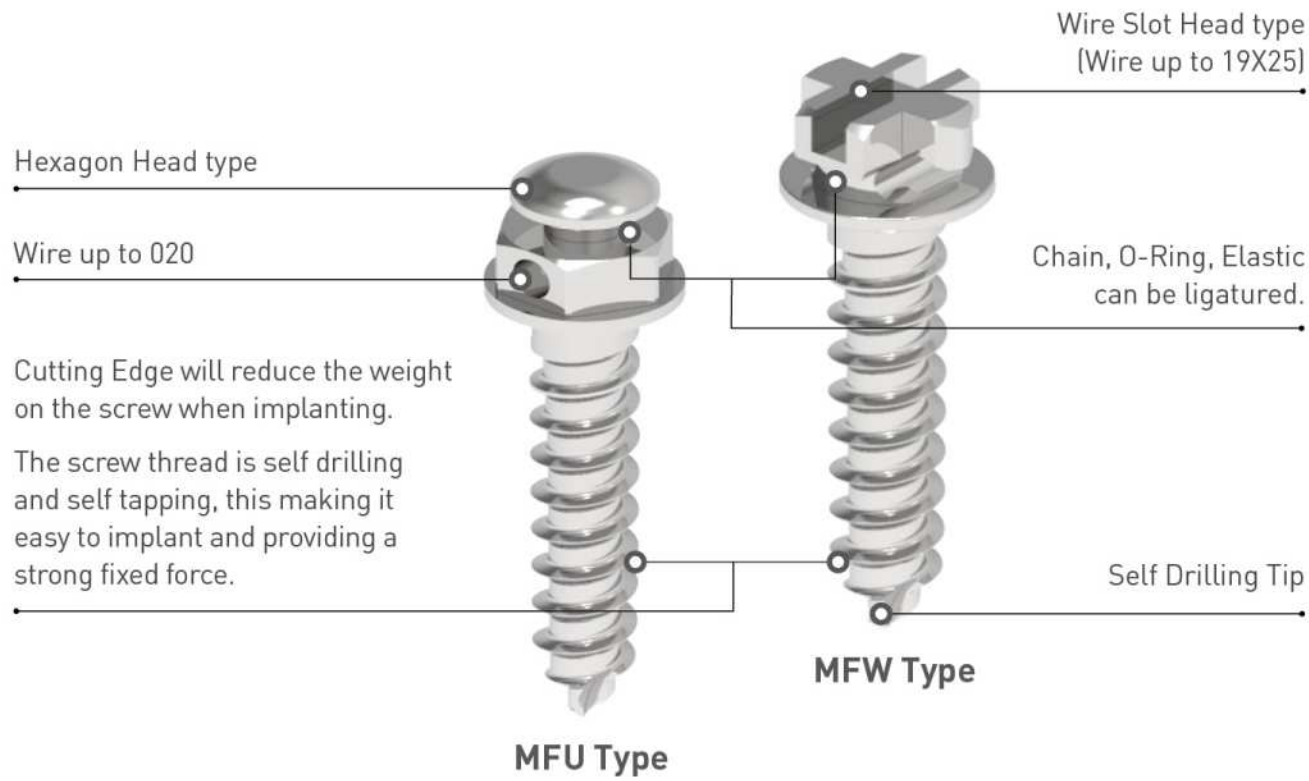


Manual Handle

For Hand Stripping Straight & Angled



FIX CREW™ Orthodontic Screw System



MFU Type



Diameter	Length	Code
1.4mm	6mm	MFU1406
	8mm	MFU1408
	10mm	MFU1410
1.6mm	6mm	MFU1606
	8mm	MFU1608
	10mm	MFU1610
1.8mm	6mm	MFU1806
	8mm	MFU1808
	10mm	MFU1810

MFW Type



Diameter	Length	Code
1.4mm	6mm	MFW1406
	8mm	MFW1408
	10mm	MFW1410
1.6mm	6mm	MFW1606
	8mm	MFW1608
	10mm	MFW1610

Temporary Anchorage Devices have been one of the most important parts of treatments from planning to end of treatments.

Our "Fix Crew™" can relieve your stress on this matter. The "Fix Crew™" gives absolutely fixed anchorage, and it provides you easy, fast and safe treatment.

Fixcrew™ made from Titanium would reduce chances of fracture when implanting significantly. From its self-drilling and tapping tip, it gives comfortable treatments for both doctors and patients.



ELASTOMERIC

Elastomeric

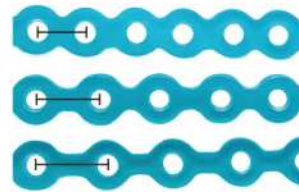
Power Chain (Clear)



Closed 5m [730-27]
Short 5m [740-27]
Long 5m [750-27]

Power Chain (Clear)

2.8mm
3.5mm
4.0mm



Ligature O-Ring



Clear [700-27]
Grey [700-26]
1040 EA/PKG

Separation Ring



1050 EA/PKG [810-01]

Rotation Wedge



Clear [810-02]
50 EA/PKG

Elastic Tubing



Clear 027 Inch [600-32]
3.3m

Coil Spring Tubing



17.5cm X 6 EA [600-33]

Elastic Thread



025 Inch 7.6m [600-30]
030 Inch 7.6m [600-31]

Bracket Wax



50 EA/BOX [600-74]

ELASTIC INTRAORAL

Elastic

- Only prime medical grade latex meets our standards for manufacturing our intraoral elastics.
- WBT Elastics are perfectly formed and accurately cut which assures consistent force levels.
- A unique manufacturing process eliminates the heavy use of talc.
- Each box contains 50 individual patient bags of 100 elastics, a total of 5,000 elastics.
- This product contains natural rubber latex which may cause allergic reactions.



5000 EA/Box

	1/8(3.2mm)	3/16(4.8mm)	1/4(6.4mm)	5/16(7.9mm)	3/8(9.5mm)
3.5oz	 ELASTICS -Apple- Order No. 760-02 • Size 1/8" 3.5oz 100PCS/PKG WORLD BIO TECH	 ELASTICS -Cacao- Order No. 770-02 • Size 3/16" 3.5oz 100PCS/PKG WORLD BIO TECH	 ELASTICS -Lime- Order No. 780-02 • Size 1/4" 3.5oz 100PCS/PKG WORLD BIO TECH	 ELASTICS -Melon- Order No. 790-02 • Size 5/16" 3.5oz 100PCS/PKG WORLD BIO TECH	 ELASTICS -Plum- Order No. 800-02 • Size 3/8" 3.5oz 100PCS/PKG WORLD BIO TECH
Apple 760-02	Cacao 770-02	Lime 780-02	Melon 790-02	Plum 800-02	
4.5oz	 ELASTICS -Avocado- Order No. 760-03 • Size 1/8" 4.5oz 100PCS/PKG WORLD BIO TECH	 ELASTICS -Cherry- Order No. 770-03 • Size 3/16" 4.5oz 100PCS/PKG WORLD BIO TECH	 ELASTICS -Lemon- Order No. 780-03 • Size 1/4" 4.5oz 100PCS/PKG WORLD BIO TECH	 ELASTICS -Mandarin- Order No. 790-03 • Size 5/16" 4.5oz 100PCS/PKG WORLD BIO TECH	 ELASTICS -Plum- Order No. 800-03 • Size 3/8" 3.5oz 100PCS/PKG WORLD BIO TECH
Avocado 760-03	Cherry 770-03	Lemon 780-03	Mandarin 790-03	Papaya 800-03	
6oz	 ELASTICS -Applemango- Order No. 760-04 • Size 1/8" 6oz 100PCS/PKG WORLD BIO TECH	 ELASTICS -Coconut- Order No. 770-04 • Size 3/16" 6oz 100PCS/PKG WORLD BIO TECH	 ELASTICS -Litchi- Order No. 780-04 • Size 1/4" 6oz 100PCS/PKG WORLD BIO TECH	 ELASTICS -Mangosteen- Order No. 790-04 • Size 5/16" 6oz 100PCS/PKG WORLD BIO TECH	 ELASTICS -Pineapple- Order No. 800-04 • Size 3/8" 6oz 100PCS/PKG WORLD BIO TECH
Applemango 760-04	Coconut 770-04	Litchi 780-04	Mangosteen 790-04	Pineapple 800-04	

CUTTERS

P-100T

Ligature Cutter
Max. .015"



- 15° Offset Tip
- Tungsten Carbide insert designed to cut ligature wires and rubbers

P-101T

Mini Ligature Cutter
Max. .012"



- 7° Offset Tip
- Fine tips to easily access hard to reach areas

P-102T

Distal End Cutter, TC
Max. .021" x .025"



- 15° Offset Tip
- Tungsten Carbide insert
- Designed to cut wires close to the buccal tube and safely holds the distal end

P-104T

Flush Distal End Cutter, TC
Max. .021" x .025"



- 15° Offset Tip
- Tungsten Carbide insert
- Designed to cut wires close to the buccal tube and safely holds the distal end

UTILITY PLIERS

P-105T

Slim Weingart Utility Plier, TC



- Slim and versatile utility pliers
- Tungsten Carbide insert

P-106T

Weingart Utility Plier, TC



- Same as P-105T
- Tungsten Carbide insert

P-107

How Plier (Straight)



- Useful for placement and removal of archwires, pins and other auxiliaries

P-108

How Plier (Angled)



- Similar to the Straight How Plier Designed to access lingual and other hard to reach areas

WIRE BENDING PLIERS

P-109
Bird Beak Plier



• Versatile loop forming pliers for Round & Rect Wire

P-110
Light Wire Plier



• Versatile loop forming pliers for round wires

P-113
Kim's Plier



• Ideal for making consistent uniform loops

P-114
Three Jaw Plier



• Useful for contouring and bending wire

P-111
Tweed Loop Forming Plier



• Loop forming pliers with .045", .060" and .075" diameters for creating bull and helical loops in wires

P-112
Tweed Arch Bending Plier



• Designed for placing first, second and third order hands and torquing and bending square or rectangular wires

P-116
Young Plier



• Ideal for laval arches and canine loops

P-117
Jarabak Plier



• Versatile light wire bending pliers Grooves assist with precise bending and closing

WIRE BENDING PLIERS

P-118
Hollow Chop Plier



- Perfect for subtle contouring of arch wires

P-119
De La Rosa Plier



- Designed for lingual retainers and simply expand or constrict archwires

P-120
Nance Loop Forming Plier



- For Precise forming of loops with four step tips

P-121
Lingual Arch Plier



- Grooved to hold all larger wire sizes Ideal for double and triple back bends

P-122
Torquing Plier (Female part)



- Designed for accurate addition of torque to square/rectangular arch wires

P-123
Torquing Plier (Male part)



- Designed for accurate addition of torque to square/rectangular arch wires

P-122+123
Torquing Plier



P-132
Cinch Back Plier



- Designed to hold the wire securely while bending the wire 90° distal to the buccal tube

REMOVING PLIERS

P-125

Band Remover Plier



- The alignment of the tip and occlusal pad are well suited for posterior band removal

P-126

Band Remover Plier Tip



P-127

Bracket Remover Plier
(Straight)



- Designed to remove the steel, Ceramic and plastic brackets of all types safely and comfortably

P-128

Bracket Remover Plier
(Angled)



- High angle design is effective for removal of all bracket style from anterior and posterior teeth

OTHER PLIERS

P-134

Crimpable Hook Plier



- Designed for surgical hook and auxiliaries

P-135

Separating Plier



- Designed for easy placement of separating elastics

P-136

Mosquito (Straight)



P-136-00

Bracket Tweezer



- For bracket placement. Reverse-action provides for ease in loading and firm grip

OTHER PLIERS

P-137

Mathieu Needle Holder



- Sturdy, rounded tips designed for twisting ligature wire

P-139

O-Ring Plier(Hook Tip)



- Designed for placing elastomeric ligatures

P-140

O-Ring Plier



- Designed for placing elastomeric ligatures

P-143-00

Band Seater And Scaler



- A serrated tip for contouring and seating of bands. The other end is a scaler to aid in removing excess cement

P-144-00

Ligature Tucker



- One straight end and one angled end for tucking ends of steel ligatures

P-143 / 144

Bracket Height Gauge 018"
Bracket Height Gauge 022"



- For precise bracket positioning of .018 brackets, .022 brackets

P-146

Band Pusher



- Accurate and secure placement while banding

P-150

Tube Tweezer



- Specially suited for placing buccal tube in the posterior area

The Medical Partner
for a Better Future
www.wbtkorea.com



WORLD BIO TECH

612,560,Dunchon-daero,Jungwon-gu,Seongnam-si,Gyeonggi-do,13230,Korea
Tel. +82-2-318-2804 Fax. +82-2-318-2823 E-mail. sunny@wbtkorea.com