



Dr. Dani Irani

I am very satisfied in the device, Rextar X giving better quality than any other products in the market. It's even light-weight.



Dr. Nerisa Felix

What I like the most in the Rextar X is its practicality and easiness of use, it makes daily x-ray tasks a lot easier to everyone in my dental team, patients feel more comfortable and in addition it goes incredibly well with the modern style of our dental center. 100% recommended.



Dr. Alejandro Valdivia

I have used many dental periapical x-ray units throughout my career, top ranked equipments among them, but none has the image quality and practical design of Rextar X all together, excellent performance. I recommend this x-ray.

REXTAR-X

Small, but Strong



Room #516-2, A-dong, Gangseo Hangang Xi Tower,
401, Yangcheon-ro, Gangseo-gu,
Seoul, 07788, Korea

www.posdion.com

T +82 2 3664 2874
F +82 2 2638 5535
E info@posdion.com

REXTAR-X

New story begins





Safe

We always think first
your safe dental practice



Clear

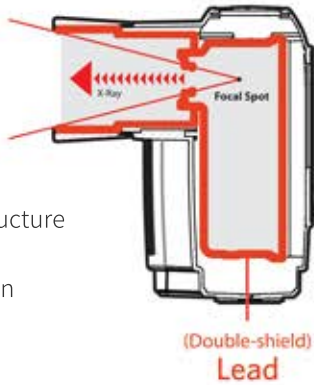
Perfect Cure by
Accurate Diagnosis



Handy

Anytime, Anywhere
Light Weight
Easy to Use

Double Shield



Double Rigid Shielding Structure
ensures the safety
from leakage radiation



X-ray Tube **Toshiba D-041**
Tube (kVp/mA) **70kVp / 2mA**
Focal Spot **0.4mm**
Target Angle **12.5°**

Certifications

To be continued



Dental Clinic
Free from the X-ray room



Ambulance
Don't let the Golden Time pass by



Field Hospital
Save your patriots lives



Veterinary Hospital
Take care of your lovers



Forensic Science
Find the Truth



Industrial Inspection
Inspect invisible defect

“ Optimal Design and Top Quality Parts
will make you smile to reduce
the time to diagnose ”