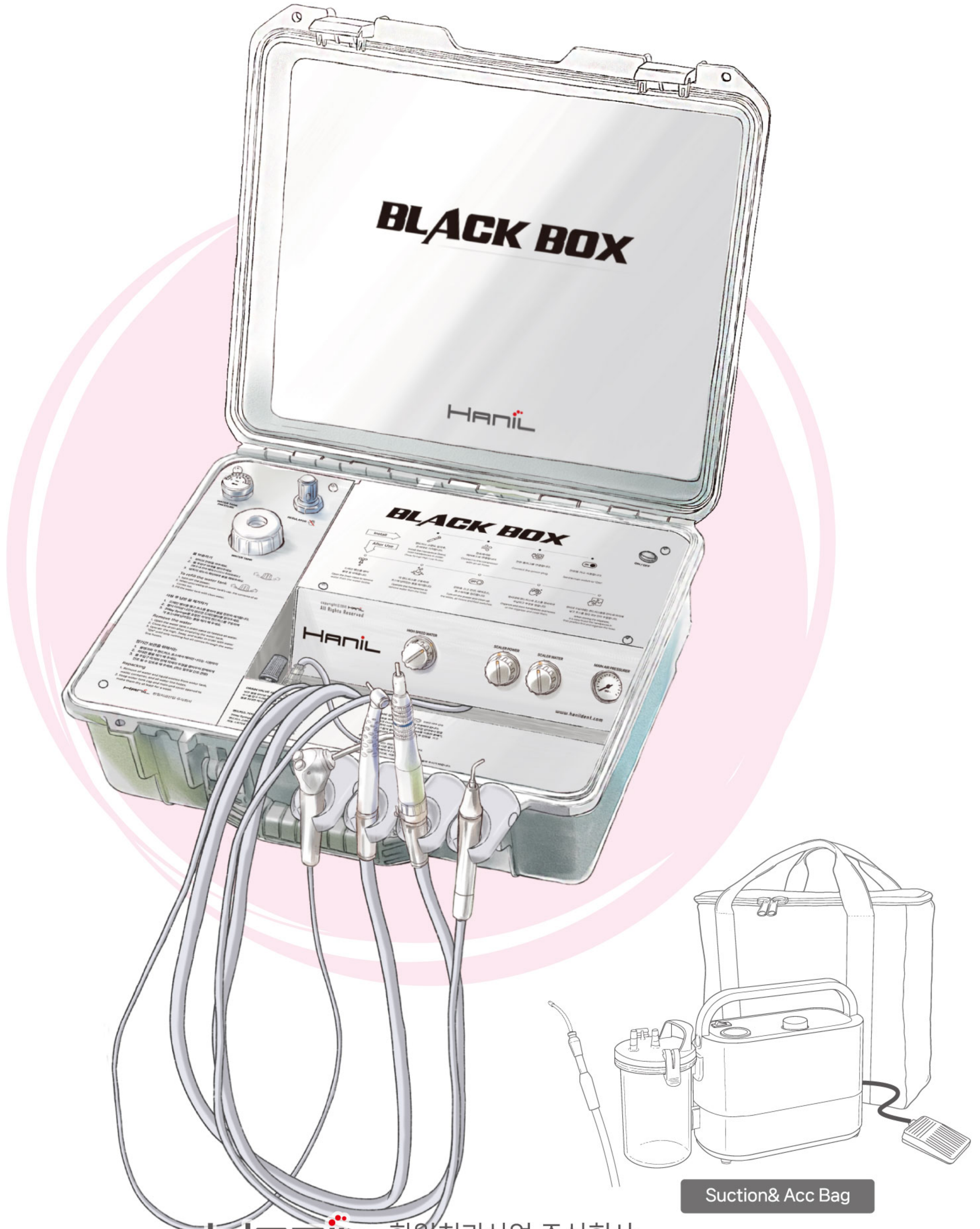


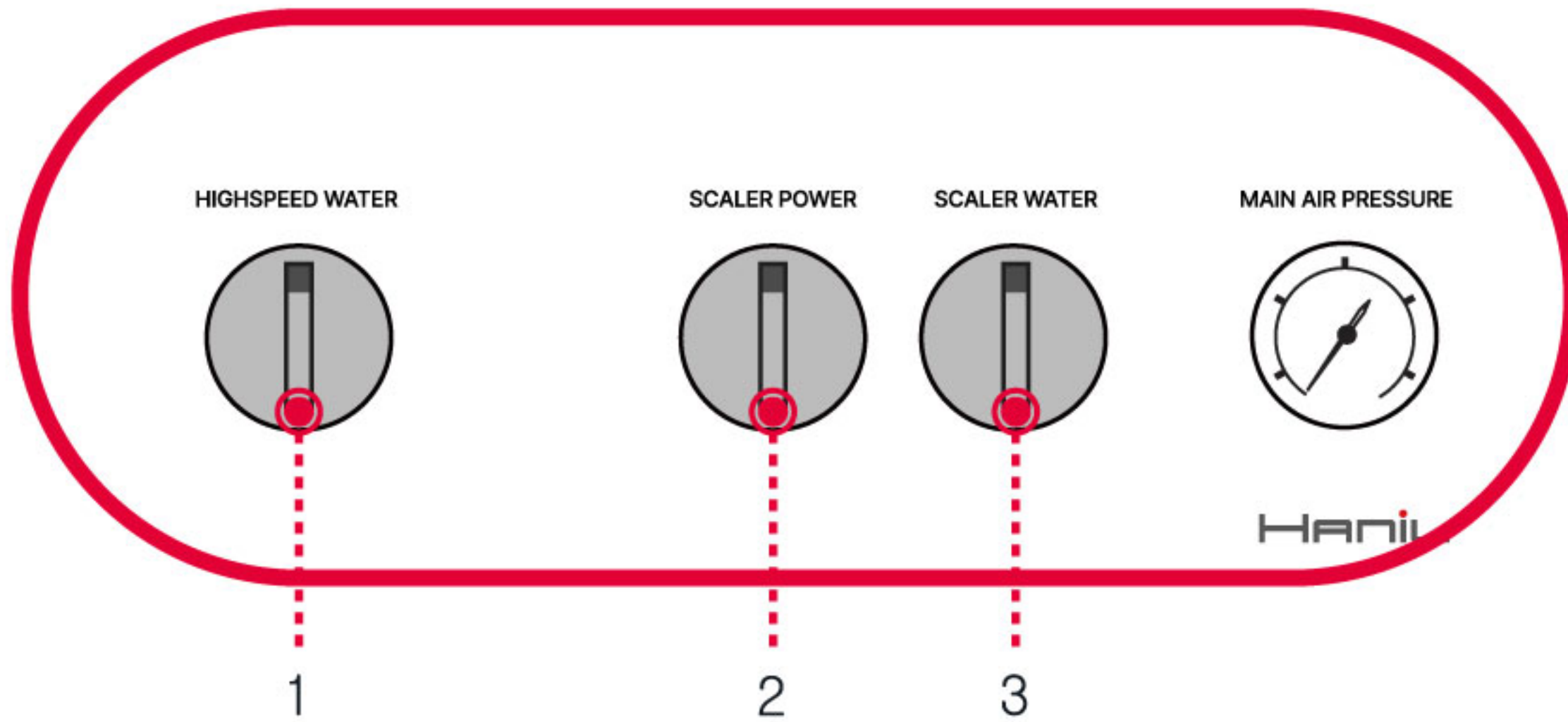
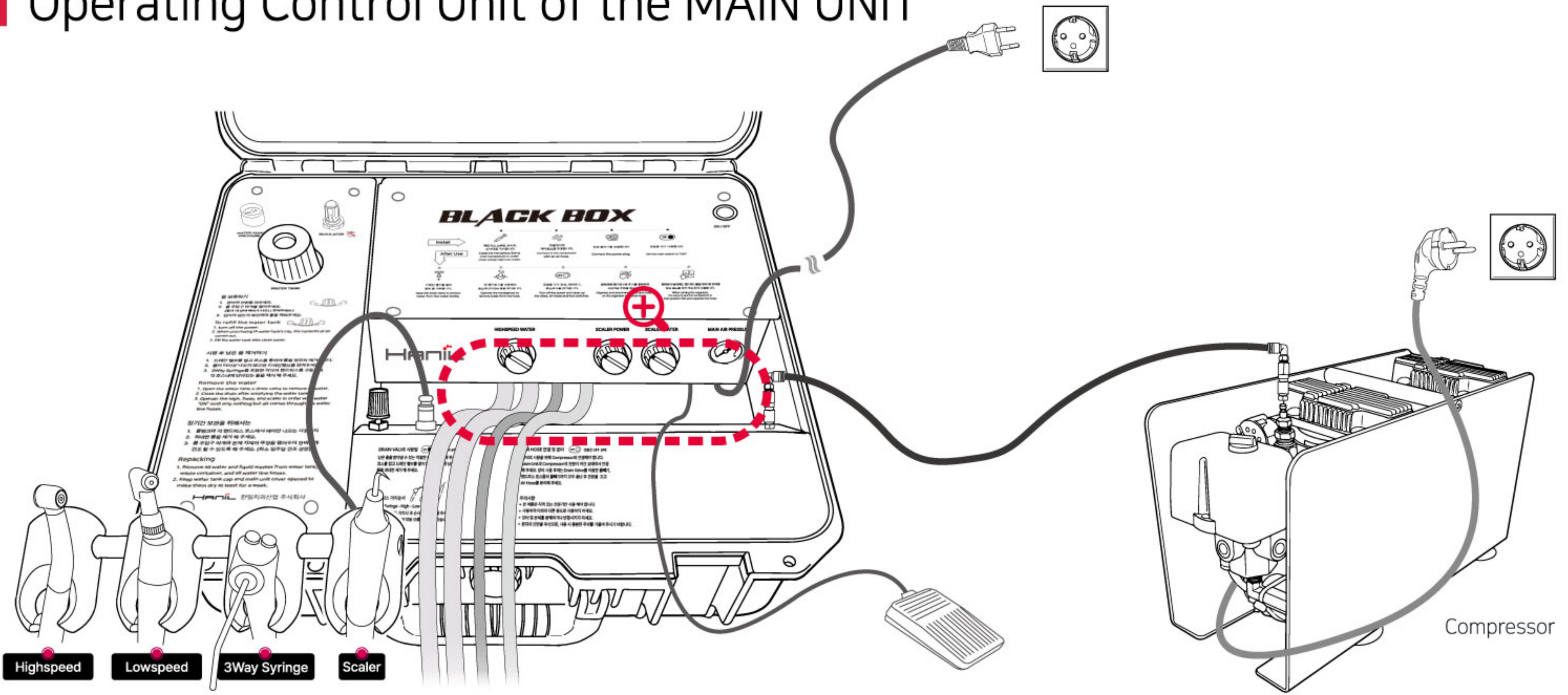
Portable Dental Unit

BLACK BOX

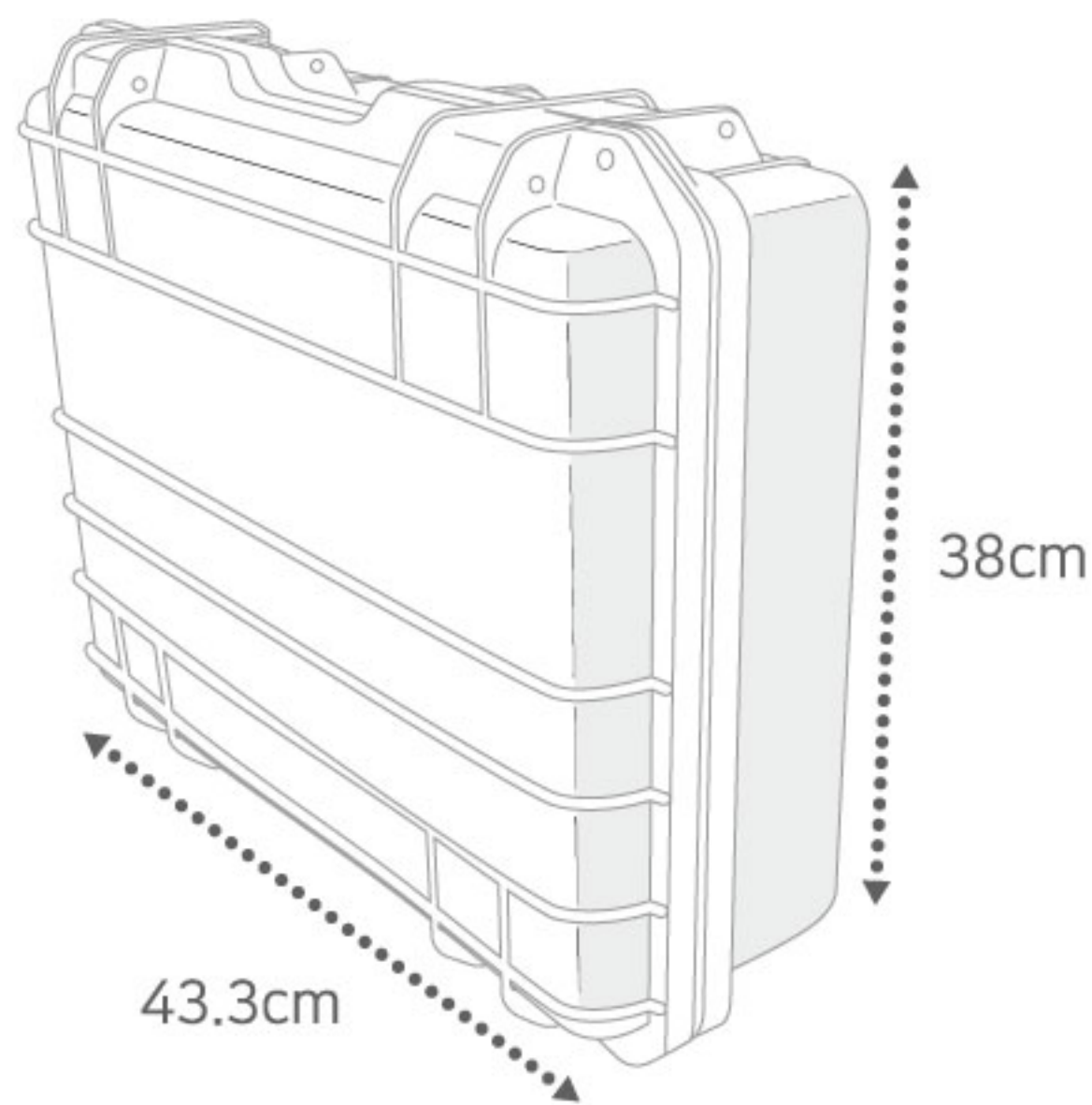


Suction & Acc Bag

Operating Control Unit of the MAIN UNIT



- 1 **Highspeed Power Knob**
High Speed Handpiece water flow adjustment
- 2 **Scaler Power Knob**
Scaler intensity adjustment
- 3 **Scaler Water Knob**
Scaler water flow adjustment



Specification of Main Unit

Weight	9kg
Power Source	Input 220/230V 50/60Hz, Output DC24V 1.5A
Water Reservoir Capacity	1,100ml
Operating Pressure	0.3MPa
Component	Handpieces(High, Low), 3way Syringe, scaler Water Bottle, Side Table, Foot switch

Specification of Compressor

Weight	10kg
Power Source	Input 220/230V 50/60Hz, Output DC24V 1.5A
Compressor Motor	~120Lpm 680mmHg 7bar
Noise Level	64.3Dba @ 1 meter

